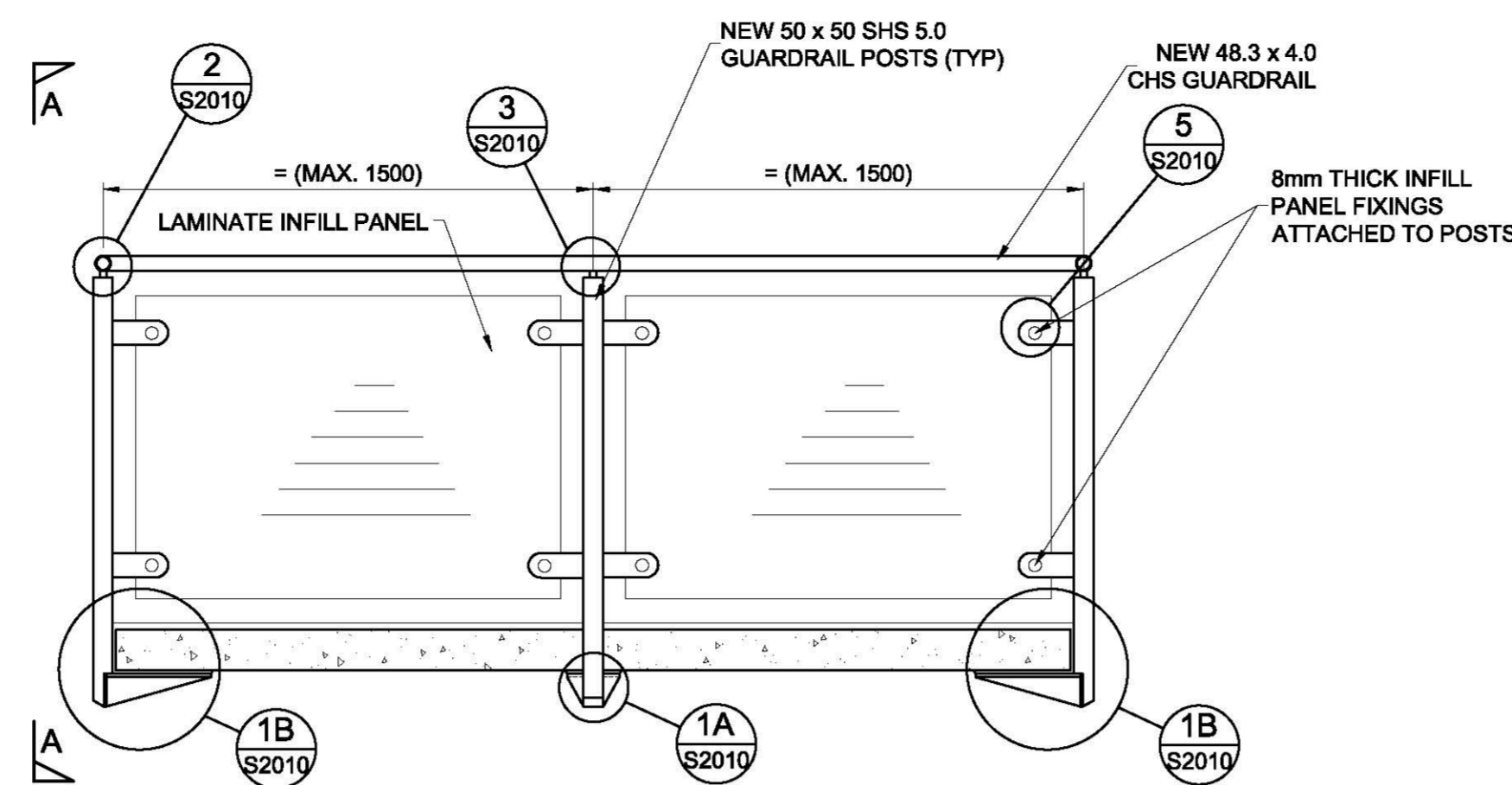
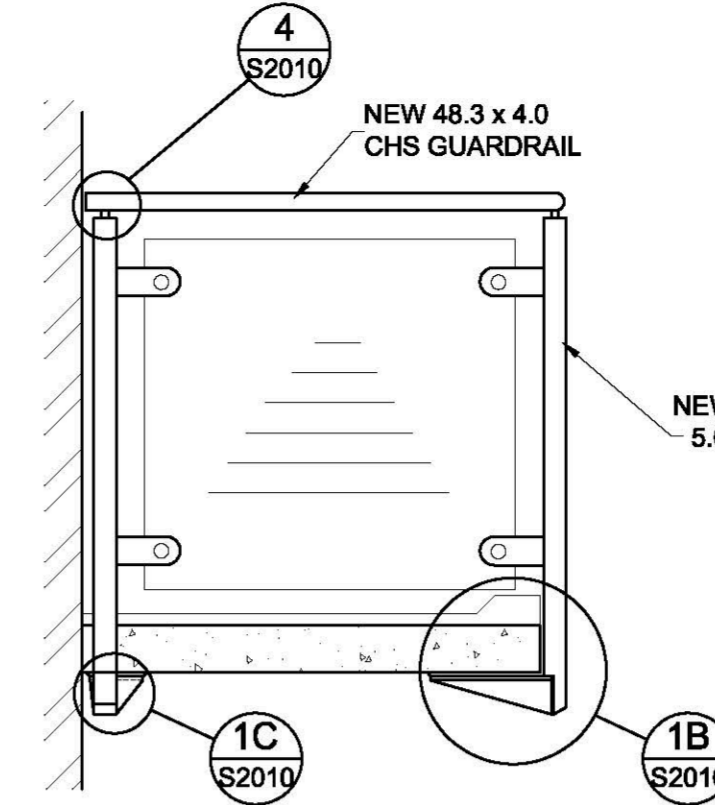


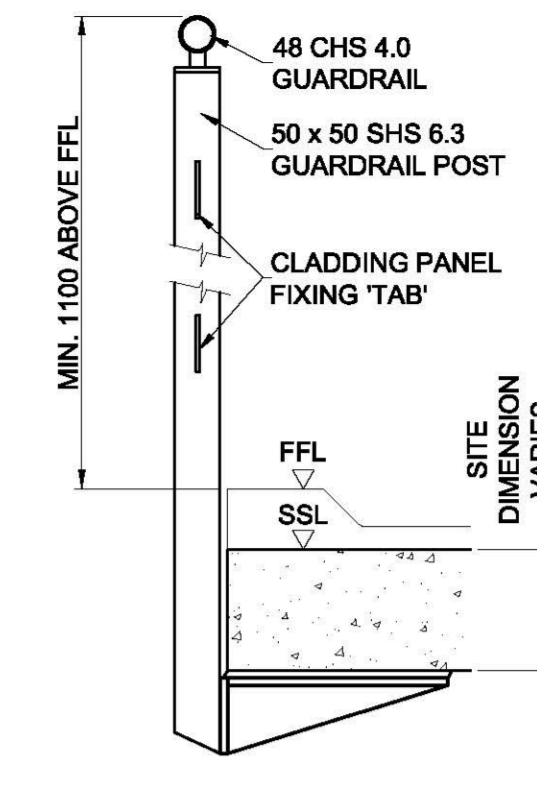
TYPICAL ELEVATION ON GUARDRAIL FOR UNDERSLAB FIXING
PROPOSAL IF OVERALL WIDTH OF BALCONY EXCEEDS 3m BETWEEN CENTRE OF OUTER POSTS
1:20



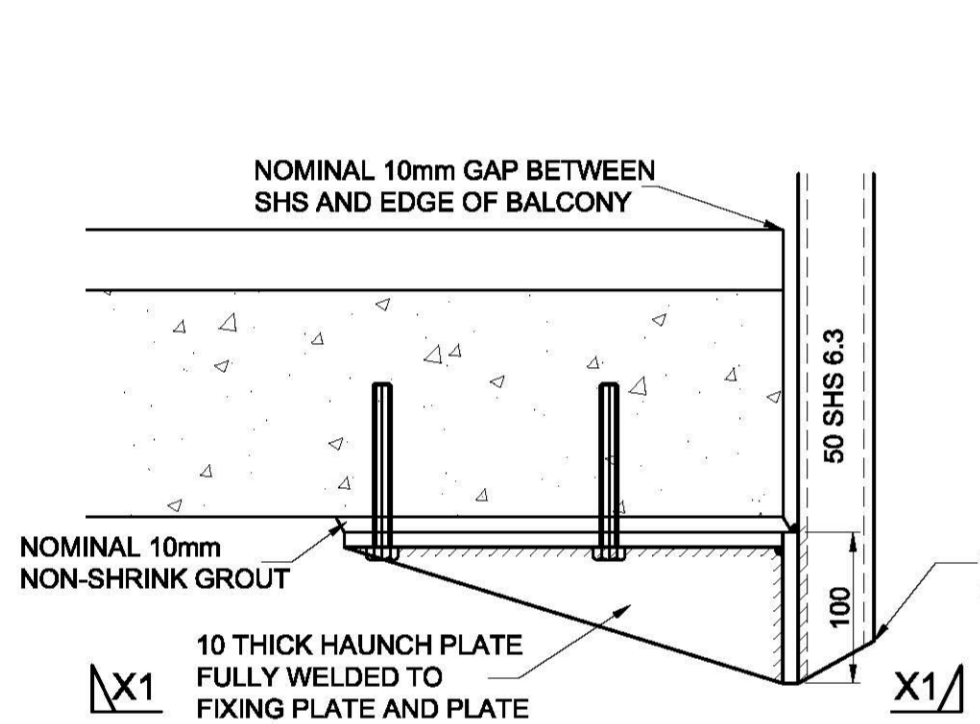
TYPICAL ELEVATION ON GUARDRAIL FOR UNDERSLAB FIXING
PROPOSAL IF OVERALL WIDTH OF BALCONY DOES NOT EXCEEDS 3m BETWEEN CENTRE OF OUTER POSTS
1:20



SECTION A-A
1:20

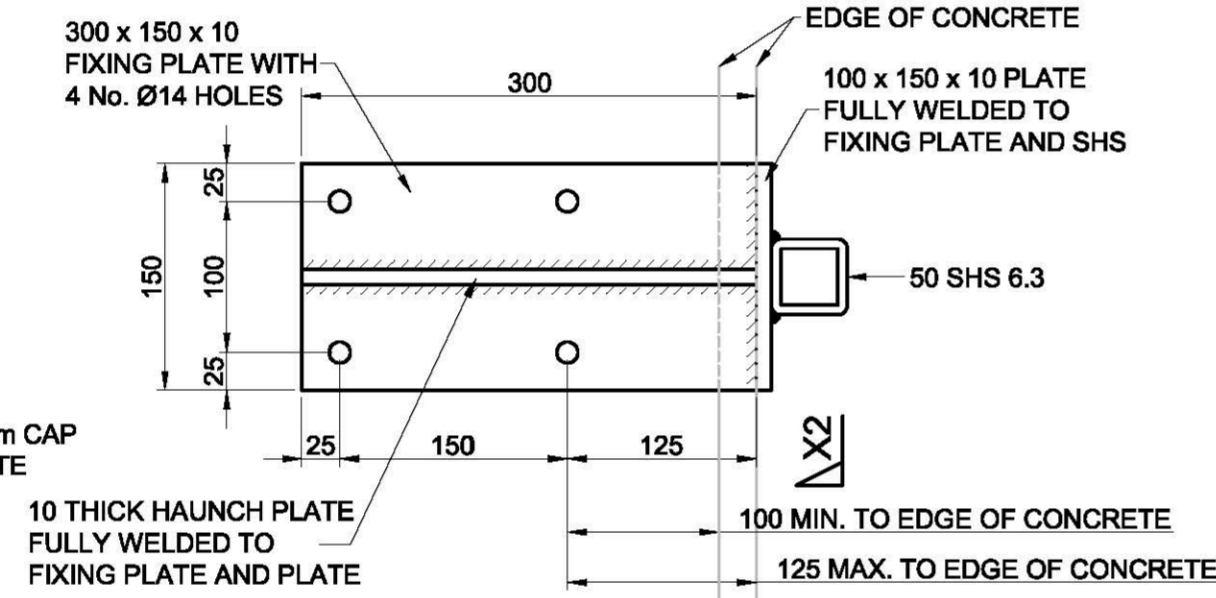


TYPICAL GUARDRAIL POST DETAIL
SCALE 1:10

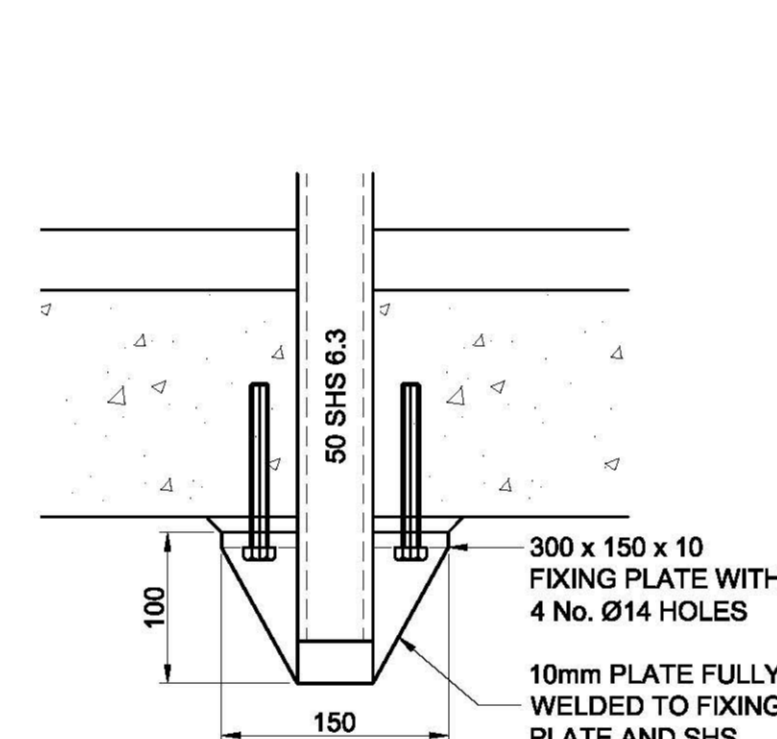


DETAIL 1A
SCALE 1:5

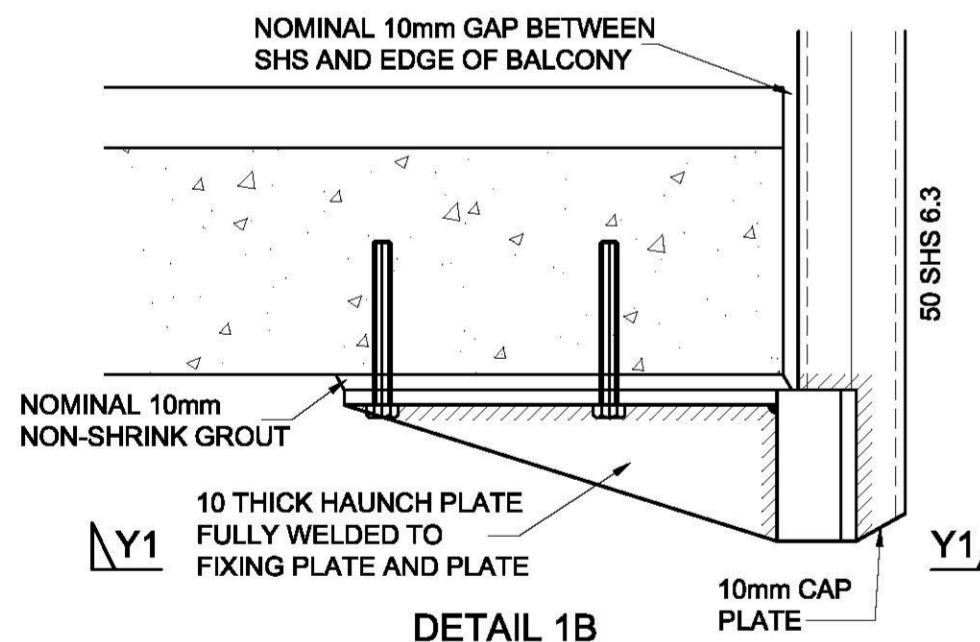
FIXING PLATE TO BE FIXED USING M12 RESIN ANCHORS, 90mm MIN. EMBEDMENT



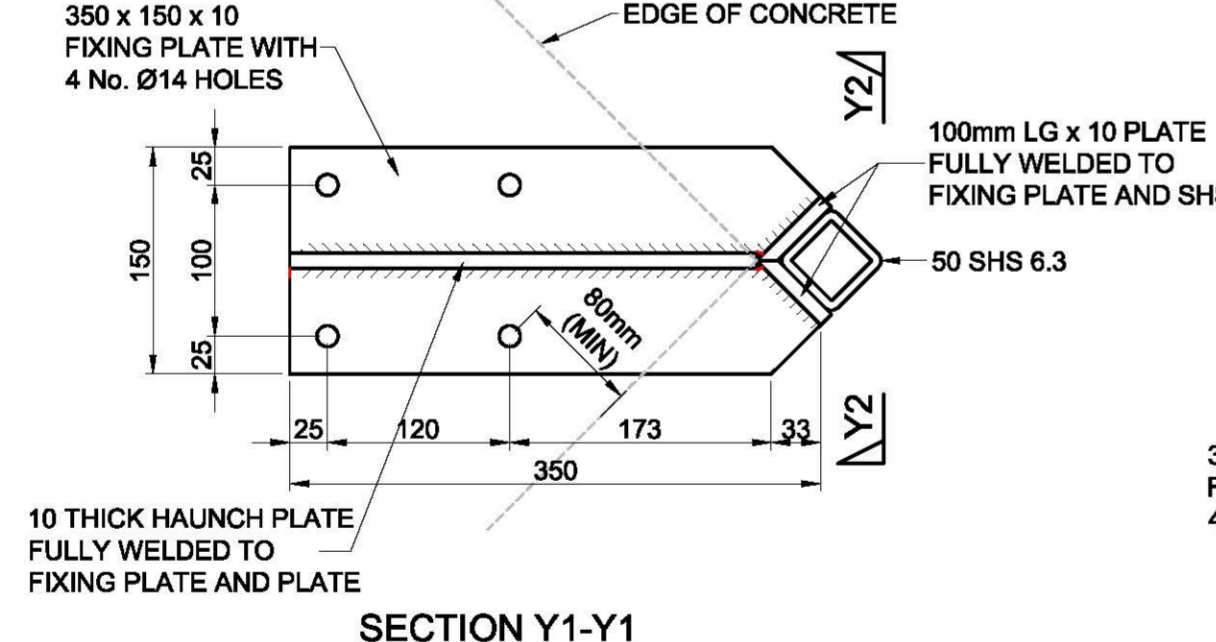
SECTION X1-X1
SCALE 1:5



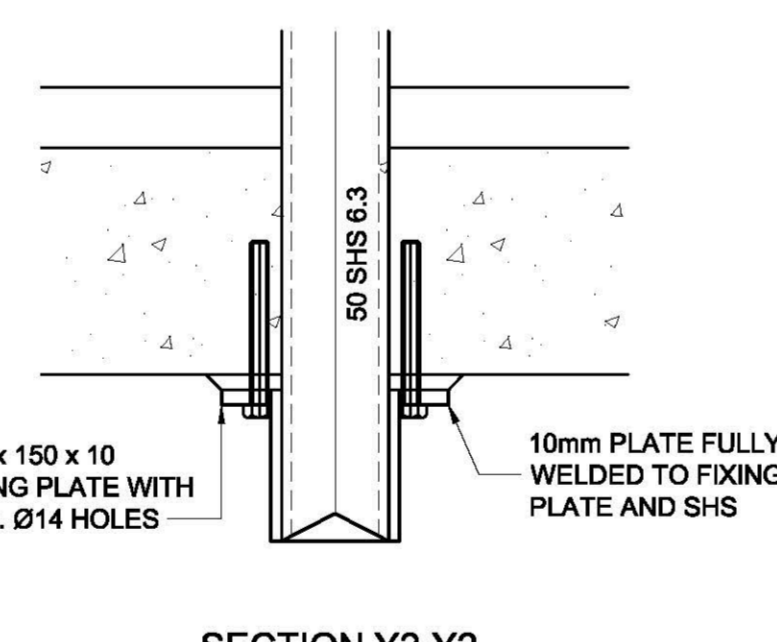
SECTION X2-X2
SCALE 1:5



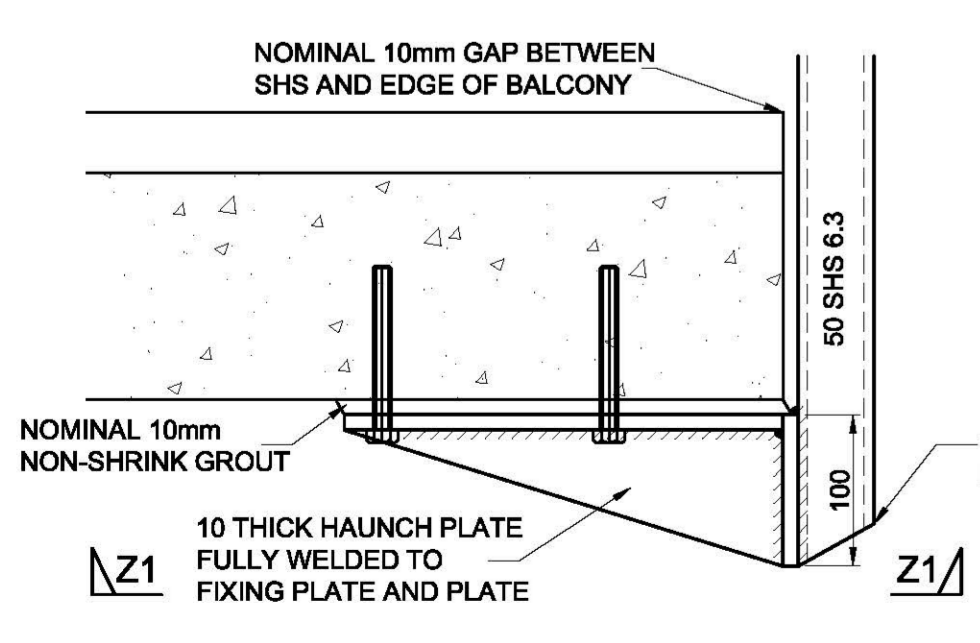
DETAIL 1B
SCALE 1:5



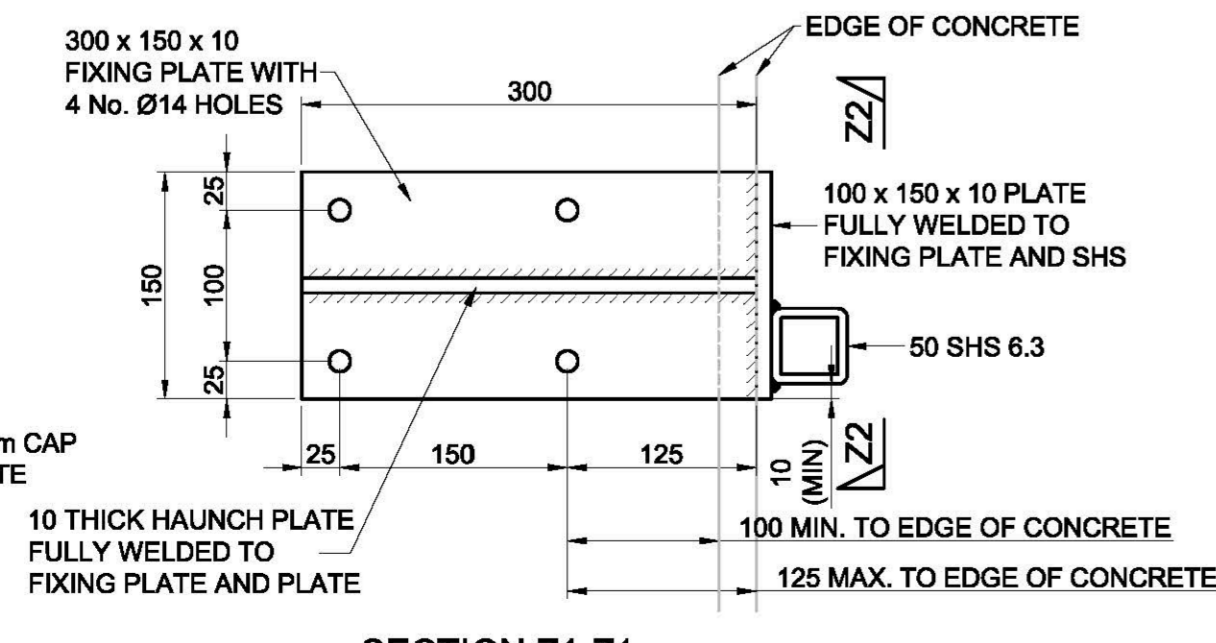
SECTION Y1-Y1
SCALE 1:5



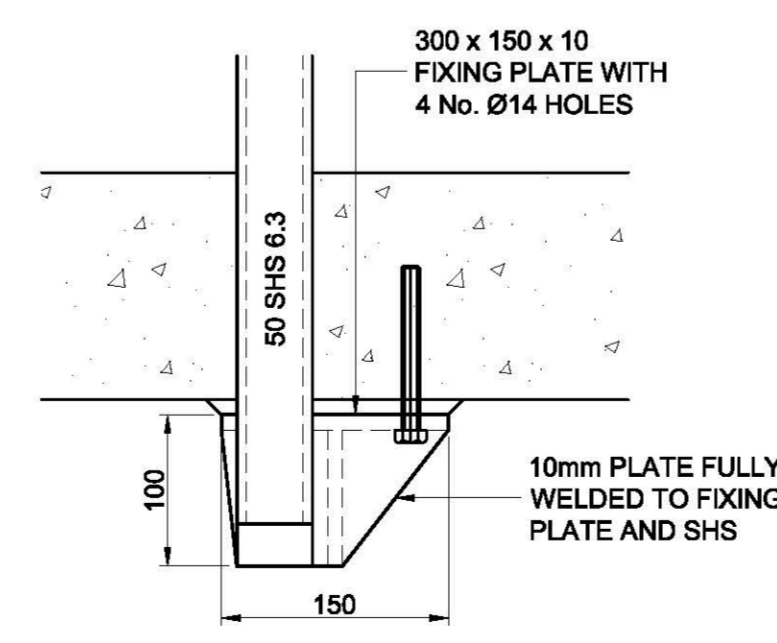
SECTION Y2-Y2
SCALE 1:5



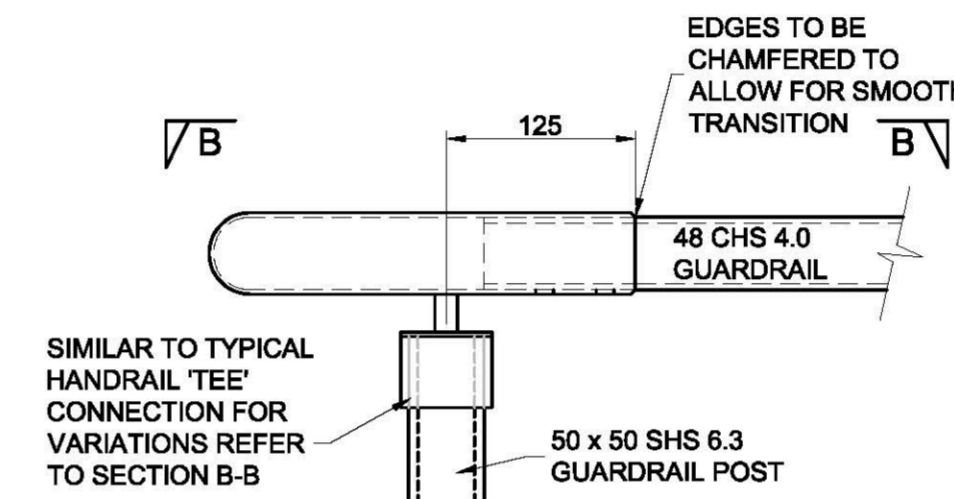
DETAIL 1C
SCALE 1:5



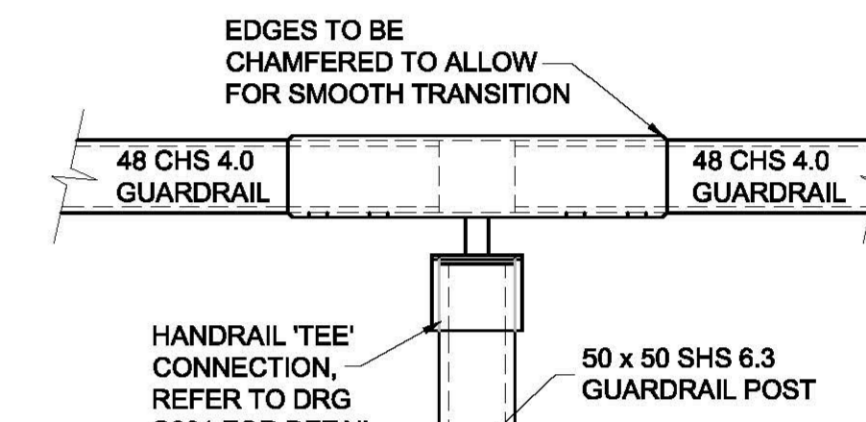
SECTION Z1-Z1
SCALE 1:5



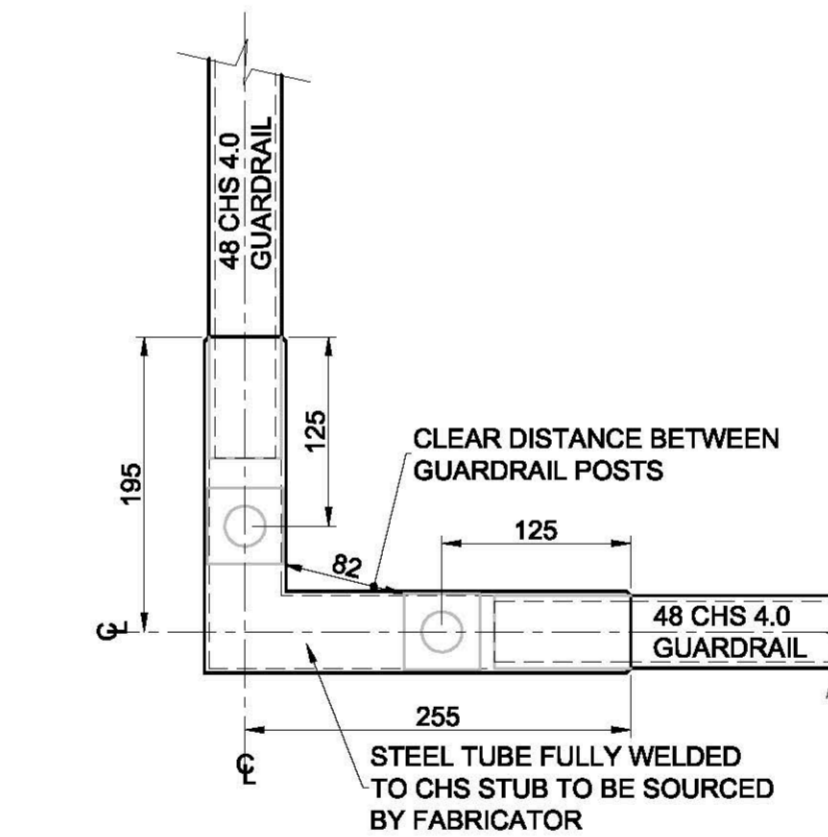
SECTION Z2-Z2
SCALE 1:5



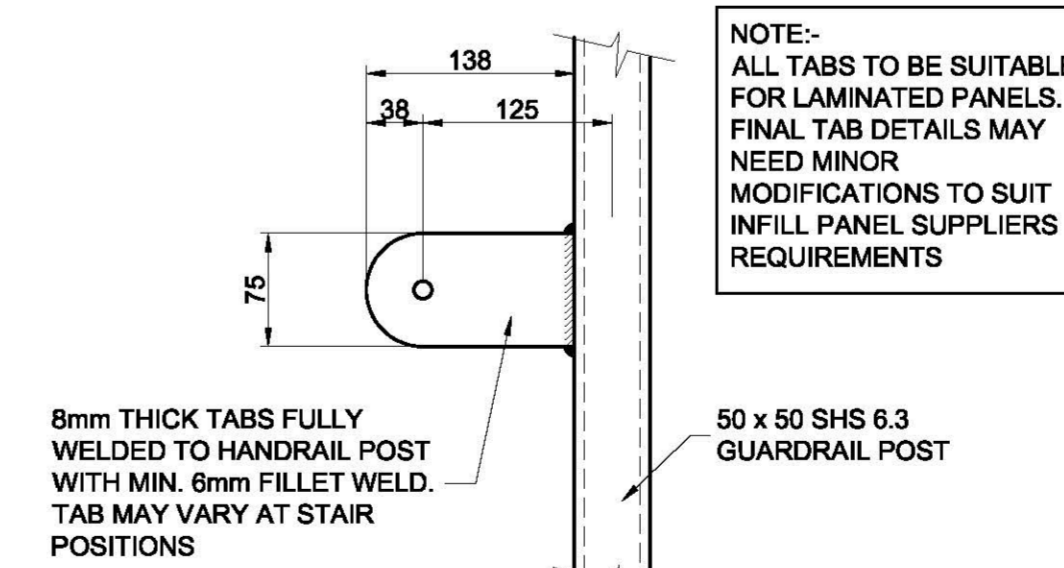
DETAIL 2 - GUARDRAIL SPIGOT (CORNER)
SCALE 1:5



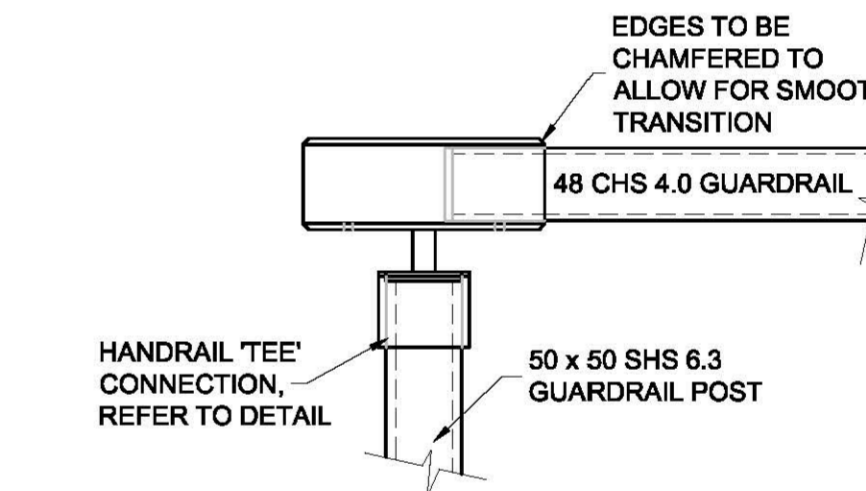
DETAIL 3 - GUARDRAIL SPIGOT (TYPICAL)
SCALE 1:5



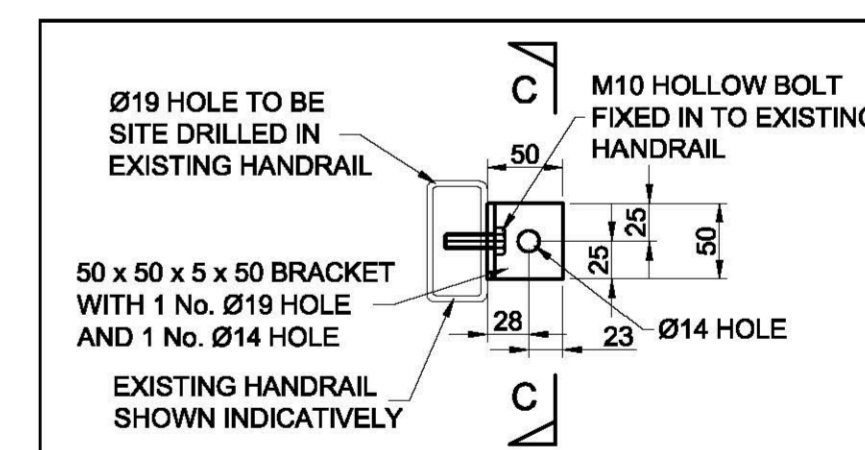
SECTION B-B
SCALE 1:5



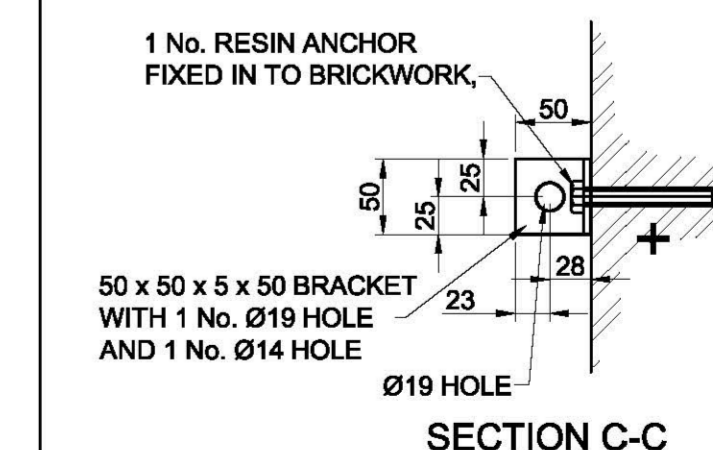
DETAIL 5 - HANDRAIL INFILL PANEL TABS
SCALE 1:5



DETAIL 4 - GUARDRAIL SPIGOT (BALCONY END)
SCALE 1:5



SECTION THROUGH EXISTING HANDRAIL



EXISTING HANDRAIL REMEDIAL BRACKET
SCALE 1:5

EXISTING HANDRAILS MAY REQUIRE INSTALLATION OF REMEDIAL BRACKET, TO BE SPECIFIED BY ENGINEER ON A BLOCK BY BLOCK BASIS

DO NOT SCALE FROM THIS DRAWING
ALL DIMENSIONS TO BE CHECKED ON SITE

- Notes:
- REFER TO DRAWING S2000 FOR GENERAL NOTES.
 - THE CONTRACTOR SHALL CHECK ALL DIMENSIONS ON SITE PRIOR TO FABRICATION.

DIMENSIONS MARKED AS VARIES WILL BE DETERMINED BY THE INDIVIDUAL BLOCK SURVEYS AND SUBSEQUENT DRAWINGS BY ENGINEER. REFER TO ELEVATION DRAWINGS FOR RELEVANT SITE

REPLACEMENT OR REMEDIAL WORKS TO THE REAR BALCONIES WILL BE DECIDED ON A SITE BY SITE BASIS BY THE ENGINEER

FOUNDATION DEPTHS SHOWN ON THIS DRAWING ARE MINIMUM, REFER TO RELEVANT ELEVATION DRAWINGS FOR FOUNDATION DEPTHS

ALL DETAILS AND SECTIONS SHOWN FOR BALCONY ENDS AND EXTERNAL STAIRS ARE SIMILAR BUT HANDED FOR THE OPPOSITE ENDS

ALL RESIN ANCHORS MARKED WITH '+' ARE TO BE 2 No. M12 HILTI HIT-HY70 WITH HIT-V ROD AND HIT-SC 22x... MIN. EMBEDMENT 80mm 'RESIN ANCHORS' OR SIMILAR APPROVED

ALL STEEL TO BE GRADE S355, GALVANISED 140um AND POWDER COATED

T1	03.03.17	INITIAL TENDER ISSUE	AF	VJJ
Rev	Date	Amendments	By	Chk

Drawing Status: **TENDER**



Client:
CANTILEVER BALCONY SUPPORT - LOT 2 'HOUSING WALK-UP' BLOCKS

Drawing Title:
TYPICAL PRIVATE BALCONY DETAILS FOR REPLACEMENT OR REMEDIAL WORKS

Project No.:	Drawing No.:	Rev.:
RP200058	S2010	T1
Date:	Scale:	
MARCH '17	AS SHOWN @ A1	
By:	Checked:	Approved:
VJJ	VJJ	DH
UPR Number:		