

DO NOT SCALE FROM THIS DRAWING
ALL DIMENSIONS TO BE CHECKED ON SITE

Notes:

- REFER TO DRAWING S2000 FOR GENERAL NOTES.
- REFER TO DRAWINGS S2001-S2012 FOR TYPICAL SECTIONS AND DETAILS. (ADDITIONAL UNIQUE DETAILS MAY BE PROVIDED ON A SITE BY SITE BASIS, AS REQUIRED).
- THE CONTRACTOR SHALL CHECK ALL DIMENSIONS ON SITE PRIOR TO FABRICATION.
- FOR END PLATE CONNECTIONS SEE DRAWING S2008.
- FOR PLAN SECTION LOCATIONS, SEE DRAWING S-2002 & S-2007.

DIMENSIONS MARKED AS VARIES WILL BE DETERMINED BY THE INDIVIDUAL BLOCK SURVEYS AND SUBSEQUENT DRAWINGS BY ENGINEER. REFER TO ELEVATION DRAWINGS FOR RELEVANT SITE

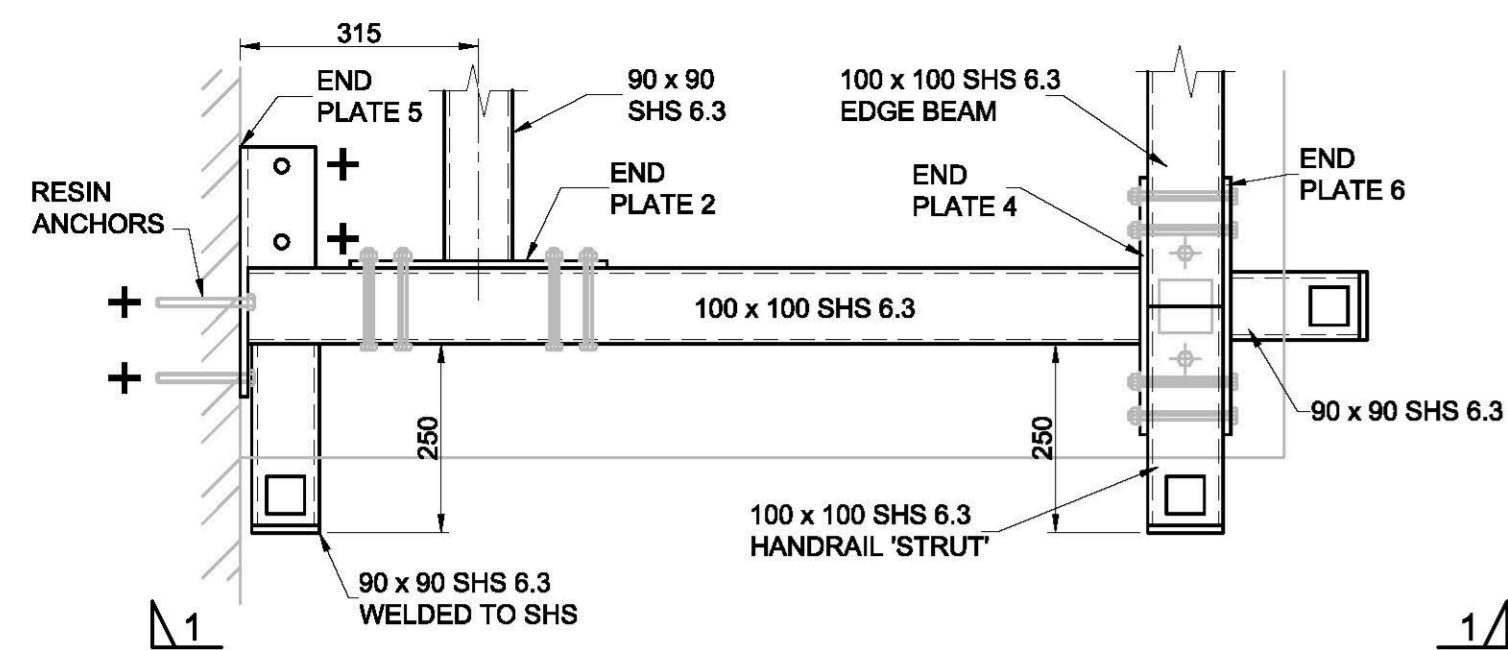
FOUNDATION DEPTHS SHOWN ON THIS DRAWING ARE MINIMUM, REFER TO RELEVANT ELEVATION DRAWINGS FOR FOUNDATION DEPTHS

ALL DETAILS AND SECTIONS SHOWN FOR BALCONY ENDS AND EXTERNAL STAIRS ARE SIMILAR BUT HANDED FOR THE OPPOSITE ENDS

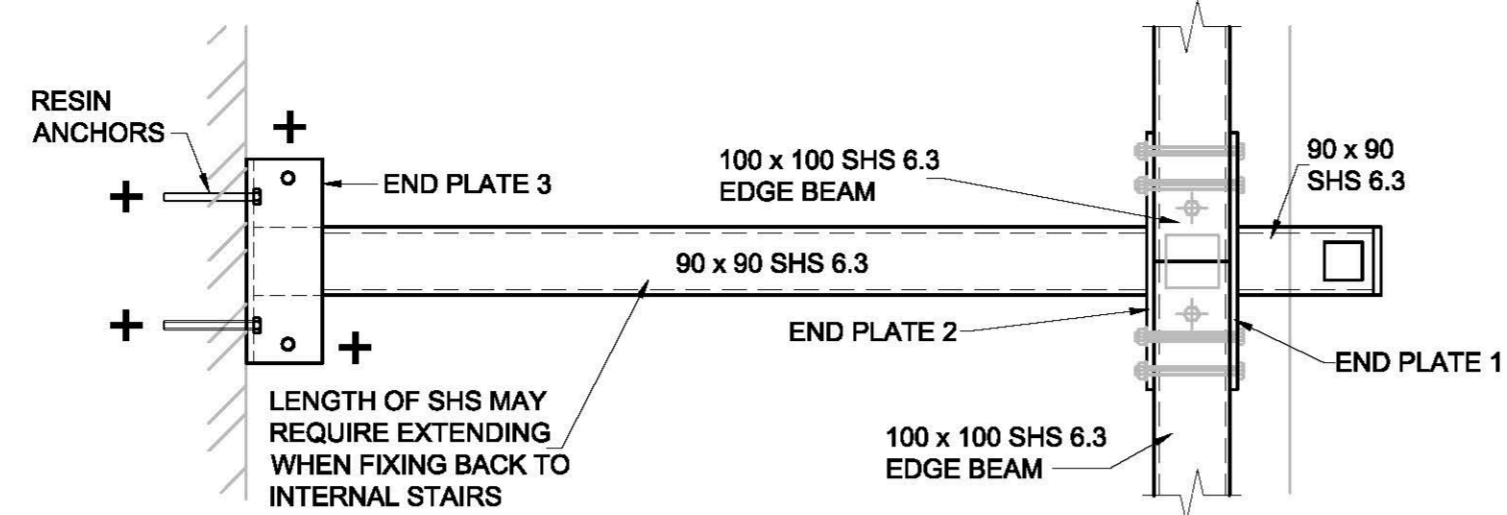
ALL RESIN ANCHORS MARKED WITH '+' ARE TO BE 2 No. M12 HILTI HIT-HY70 WITH HIT-V ROD AND HIT-SC 22x... MIN. EMBEDMENT 80mm 'RESIN ANCHORS' OR SIMILAR APPROVED

ALL STEEL TO BE GRADE S355, GALVANISED 140um AND POWDER COATED

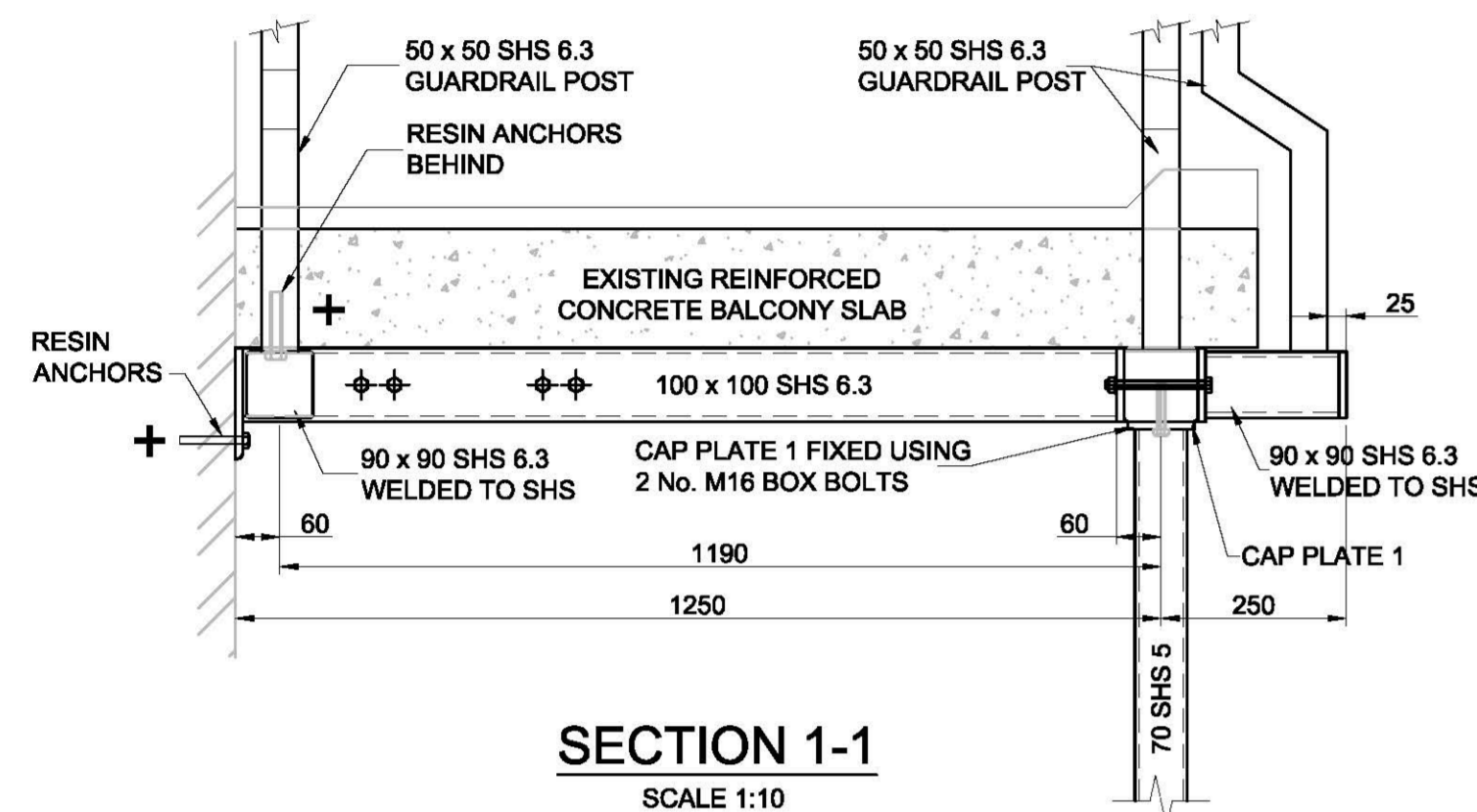
STEELWORK TO MATCH EXISTING CONCRETE BALCONY SLAB PROFILE. UP TO 5mm OF PACKING CAN BE USED TO ACHIEVE REQUIRED ANGLE. IF A GREATER ANGLE IS REQUIRED THE STEELWORK SHOULD BE FABRICATED ACCORDINGLY



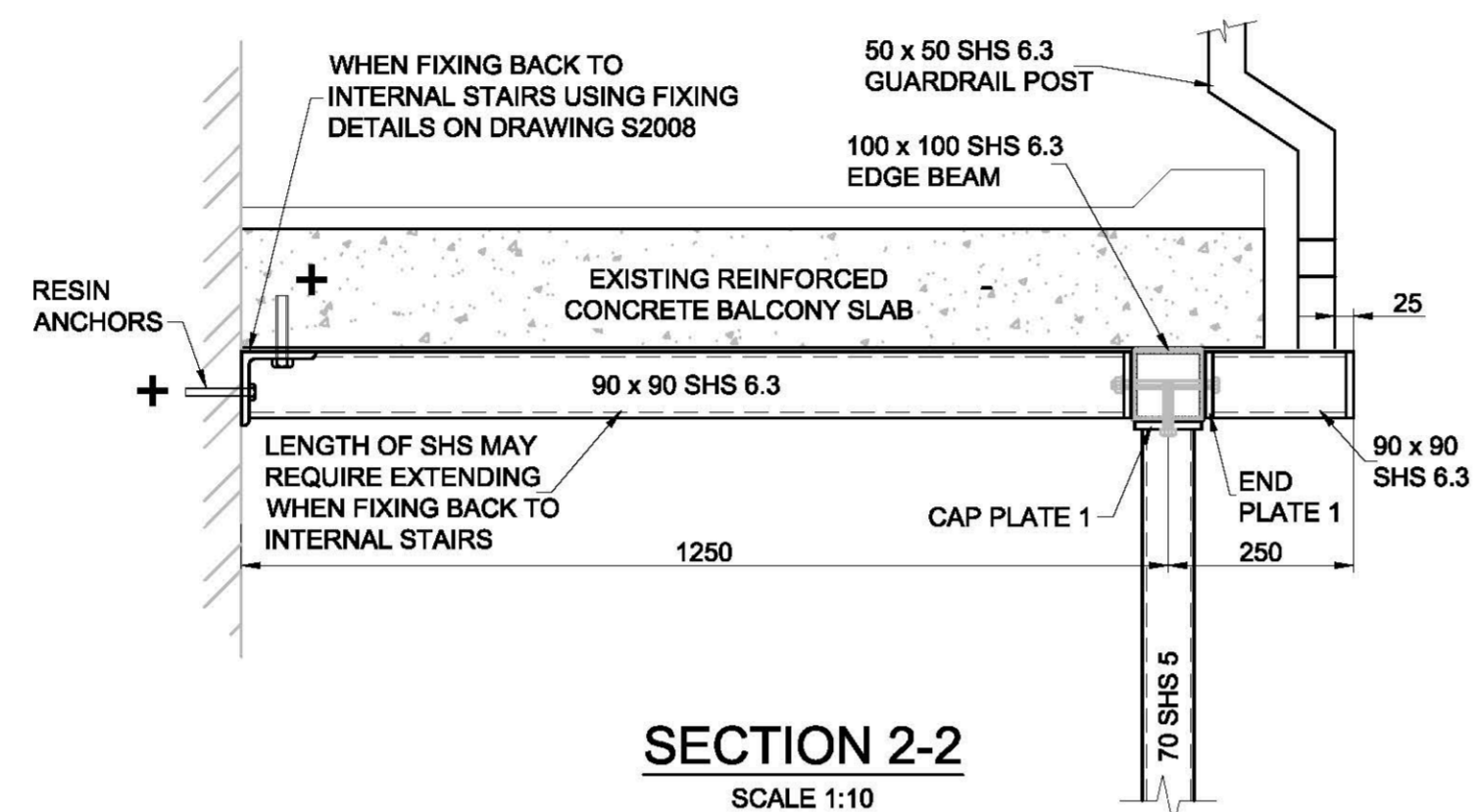
PLAN SECTION E-E
(BALCONY END)
SCALE 1:10



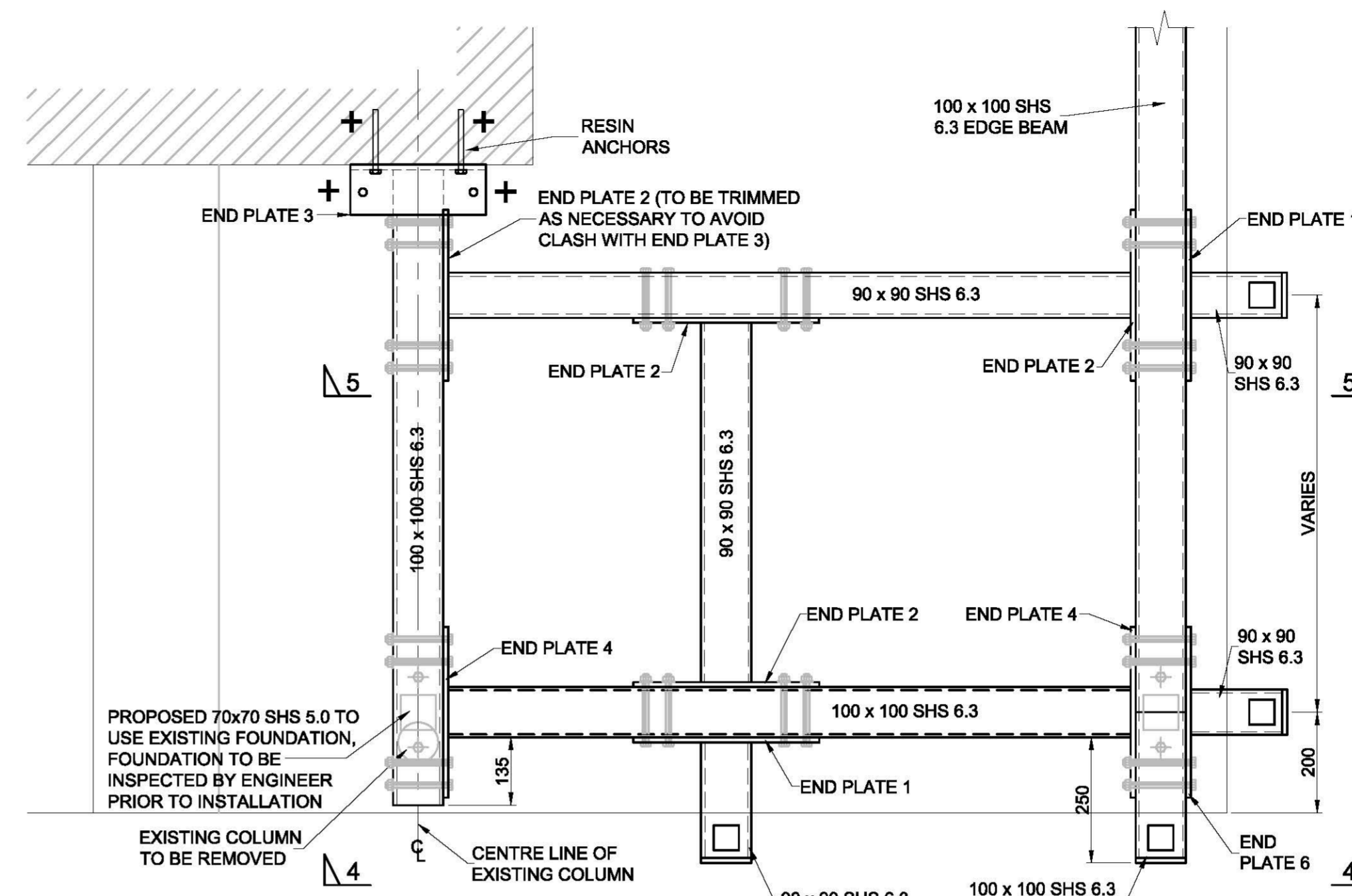
PLAN SECTION G-G
(TYPICAL MIND-SPAN COLUMN CONNECTION)
SCALE 1:10



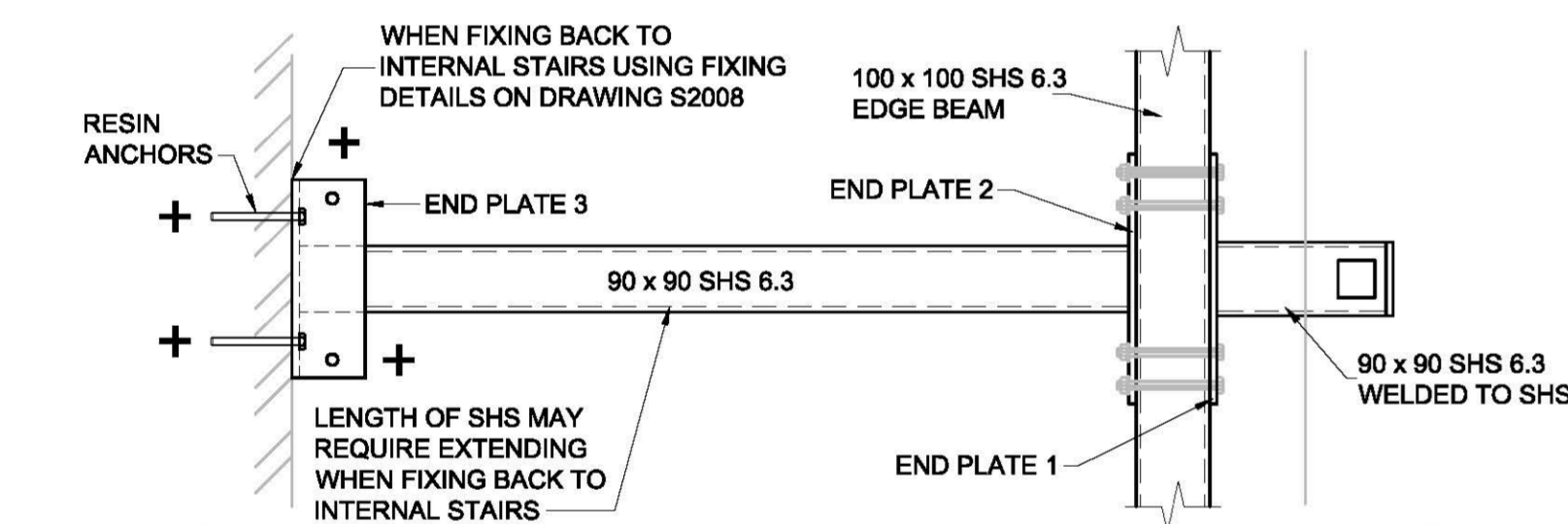
SECTION 1-1
SCALE 1:10



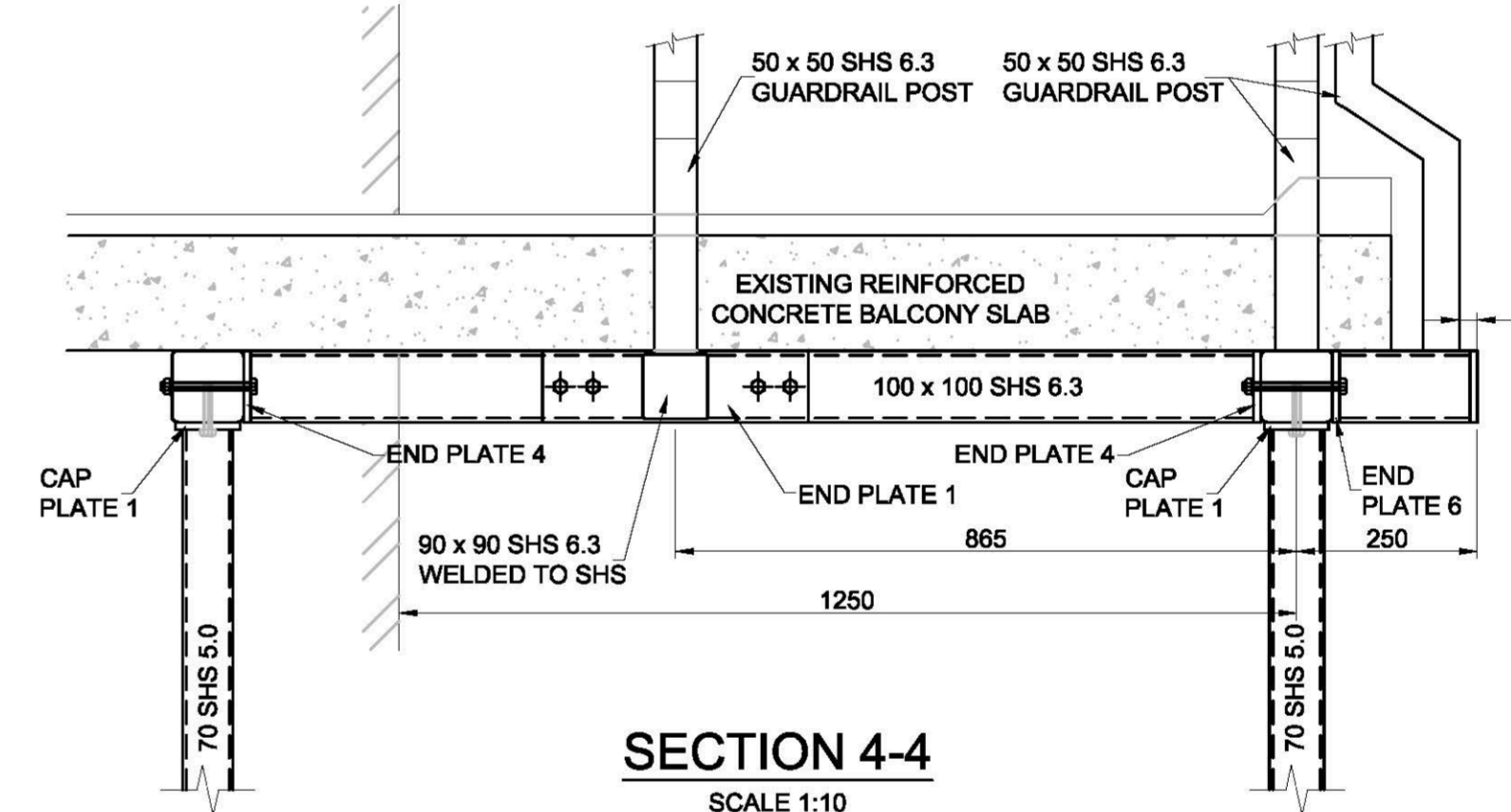
SECTION 2-2
SCALE 1:10



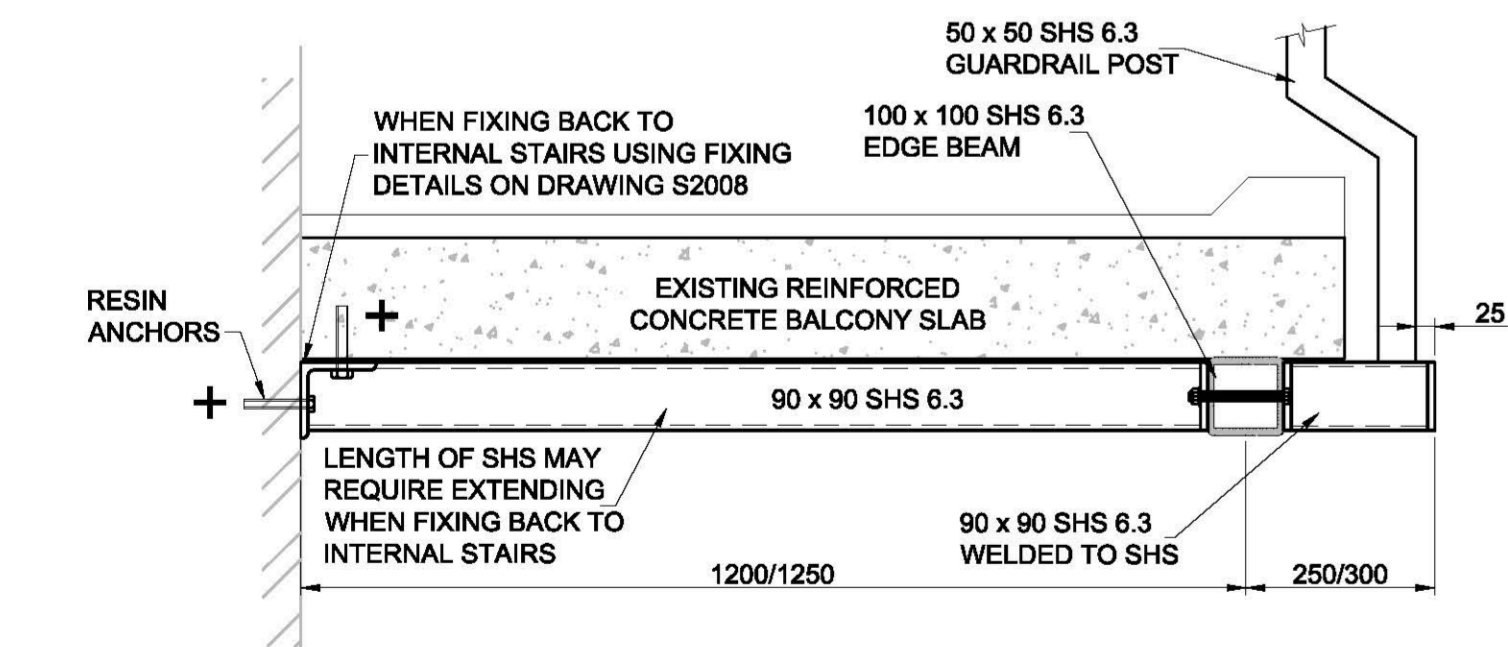
PLAN SECTION K-K
SCALE 1:10



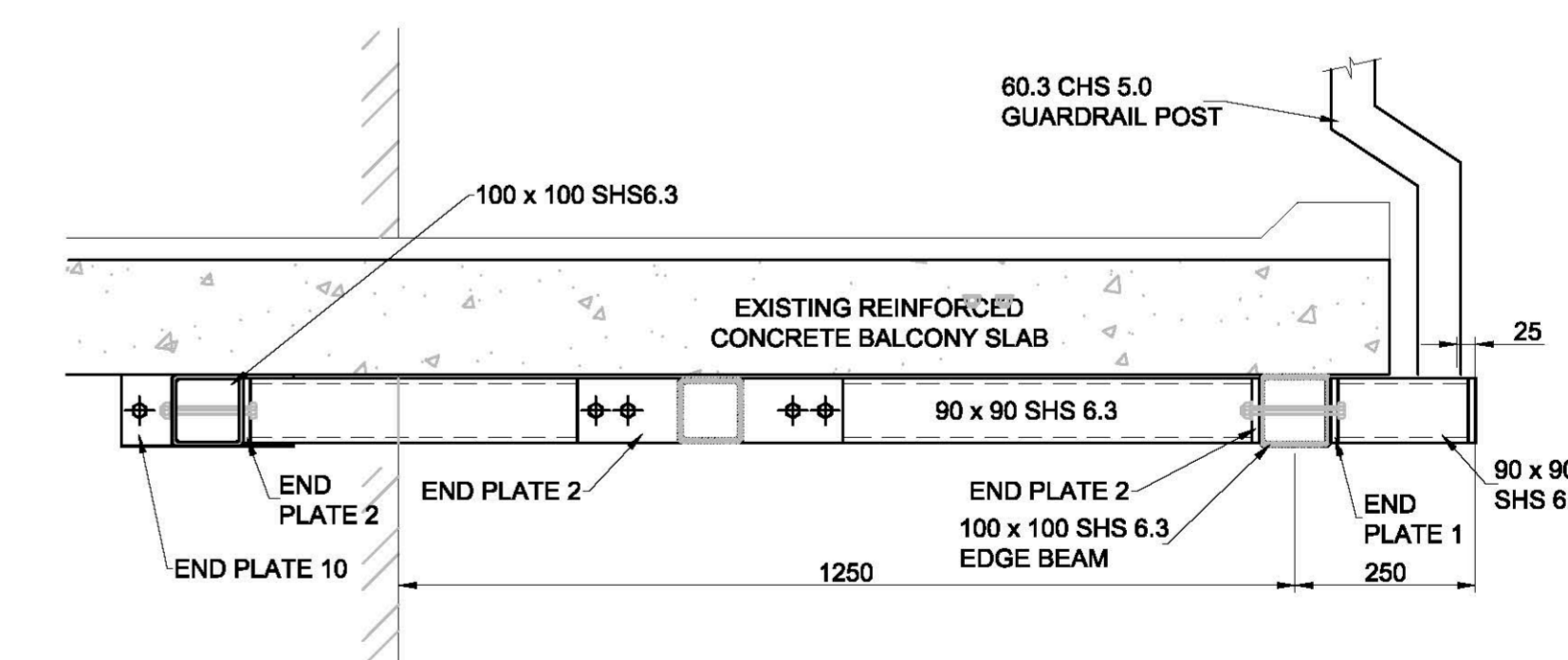
PLAN SECTION J-J
(TYPICAL MIN-SPAN TRANSVERSE BEAM CONNECTION)
SCALE 1:10



SECTION 4-4
SCALE 1:10



SECTION 3-3
SCALE 1:10



SECTION 5-5
SCALE 1:10

T1	03.03.17	INITIAL TENDER ISSUE	AF	VJJ
Rev	Date	Amendments	By	Chk

Drawing Status:

TENDER

Client:



Project Title:
CANTILEVER BALCONY SUPPORT - LOT 2 'HOUSING WALK-UP' BLOCKS

Drawing Title:
DETAILED BALCONY SECTIONS

Project No.:	Drawing No.:	Rev.
RP200058	S2003	T1
Date:	MARCH '17	Scale: AS SHOWN @ A1
By:	VJJ	Checked: VJJ Approved: DH
UPR Number:		