

This drawing should be read in conjunction with the Arboricultural Development Statement.

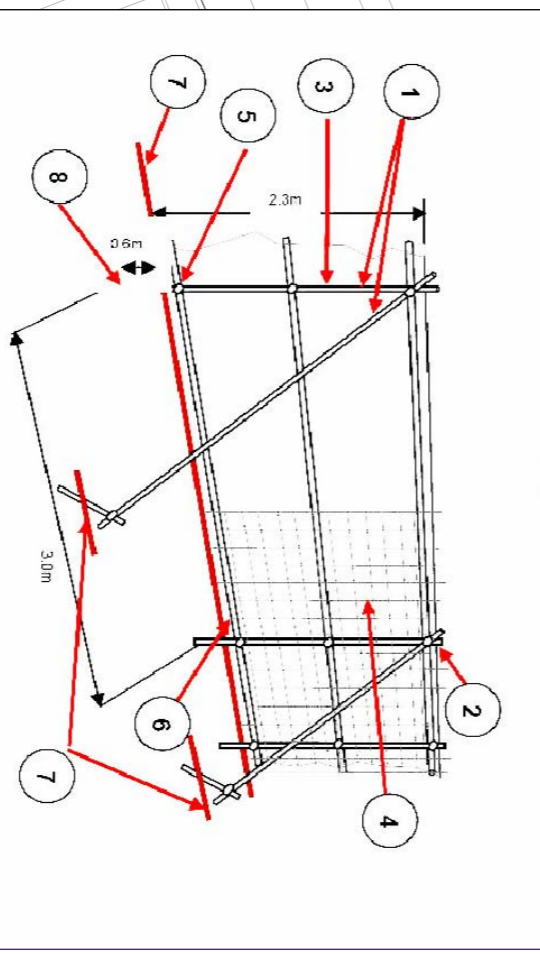
KEY

- Tree number on tree survey
- Tree canopy
- Tree Root Protection Areas
- Tree Preservation Order Groups (most trees within group protected by TPO)
- Trees with individually scheduled Tree Preservation Orders (TPO)
- Tree not included in TPO
- Existing tree survey footprint
- Tree protection to Arboricultural Development Statement Figure 1 (see inset A below) as per detailed planning approval.
- Tree protection to Arboricultural Development Statement Figure 1 (see inset A below) varied from detailed planning approval to provide adequate construction access. Revised application required. Repetitive dashed red line.
- Hedge protection: Cleft chestnut fence 1.5m high (BS1772 Part 4) with stakes driven at 2m intervals with additional straining posts at changes in direction and run ends.
- Ground Protection zone to Figure 2, BS5837:2005 as per detailed planning approval.
- Additional ground protection zone to Figure 2, BS5837:2005 and inset B below) over construction access. Revised application required.
- Site hoarding / lower specification protection as per detailed planning approval.
- Low rise piling to reduce impact on RPA to Buro. Hoarding detail as per detailed planning approval. See Note D.
- Current site hoarding as Gantle's drawing received 01/12/10.
- SSE 11kV temporary cable route, surface, laid in accordance with Arup drawing 2122/3.EI00.172
- SSE 11kV temporary cable route, buried, to method approved by electrical engineer.

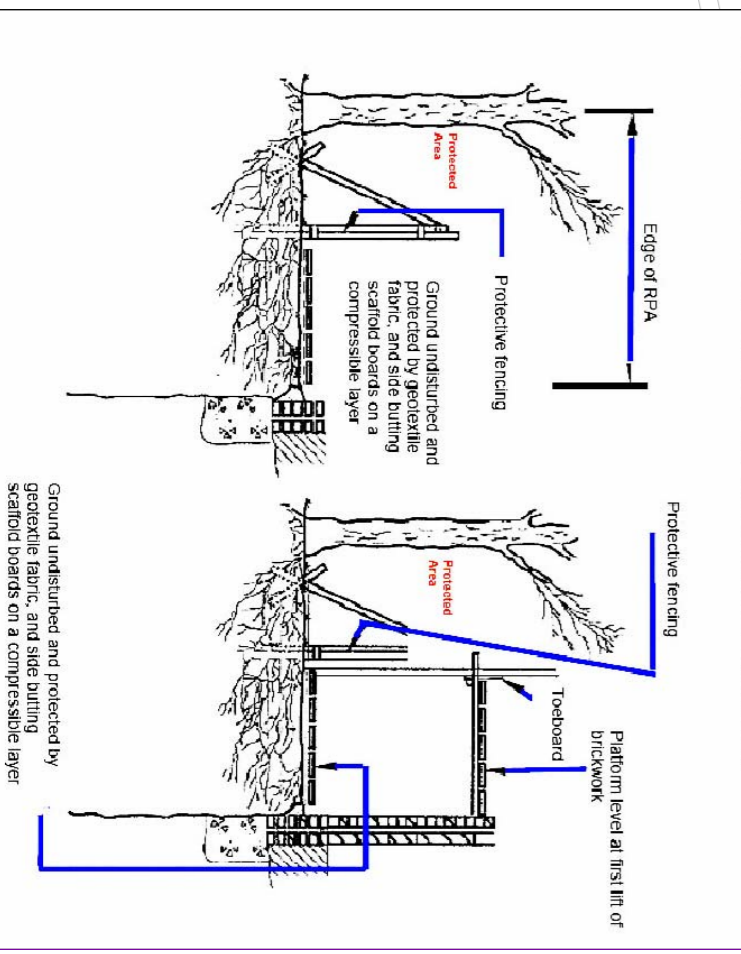
NOTES

- A. Existing hard surface with in RPA to be retained.
- B. Existing glasshouses & base to be carefully removed within RPA.
- C. Tree protection only required during works to remove glasshouses. Full tree protection to Arboricultural Development Statement Figure 1 (see inset A below) to be provided (unless stated otherwise) to be provided (unless stated otherwise) to be provided (unless stated otherwise).
- D. Tree 88: prune 2nd small branches (100mm approx. Ø) to provide 4.65m clearance over temporary access route. All in accordance with Arboricultural Method Statement.
- E. Background survey required to show Access route. Lecture Block removed and full tree removal to be undertaken in accordance with Arboricultural Method Statement.
- F. Location of service ducts under Access road. Contractor to submit details for p/c locations at duct ends, including shortening of duct on west side to back of kerb location to permitted east of access road, to upward turn of cables to surface. Duct condition of surface and full back, kerbside to edge to determine full extent of width. Place Teroson 1000 (or similar) granulate to full width of proposed temporary access, with additional 500mm to extend beyond overhead finish and 300mm gaps to joints. Surface finish material to be crusher run / recycle aggregate to contractor's choice. Submit proposals before laying. On completion carefully remove temporary sediment surcharging material and make good.
- G. Temporary sediment surcharging material and make good. A temporary electrical cable link to Annex is required from the Contractor. See LUC document dated 16/12/2010 for details.
- H.

Inset A: Tree Protective fencing specification



Inset B: BS5837:2005 Ground protection and scaffolding



UC LAND USE CONSULTANTS
43 CHALK STREET
LONDON, NW1 1JF
Tel: 020 7283 5784 Fax: 020 7283 4798
email: luc@lucdon.landuse.co.uk

Project: University of Southampton
Client: Maritime Centre of Excellence
University of Southampton

Title: Hoarding Plan

Drawn by: ET/EP **Checked:** RH
Date: Nov 2010 **Scale:** 1:500@A1
Project No: Phase 1 **Drawing No:** Status **Rev**
4320 04 15