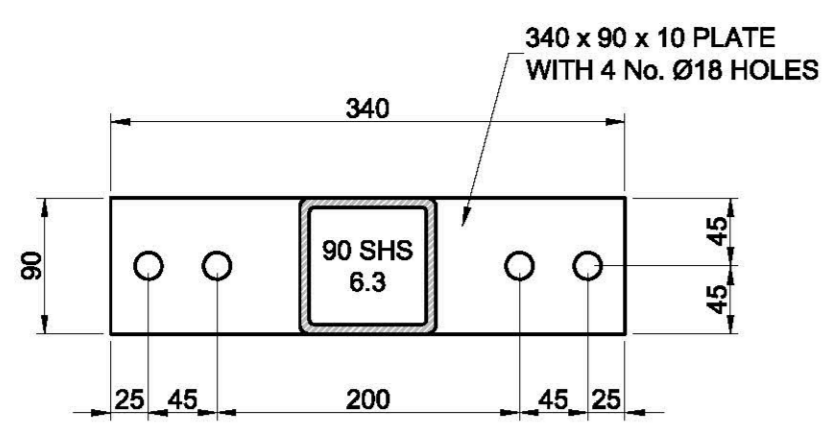
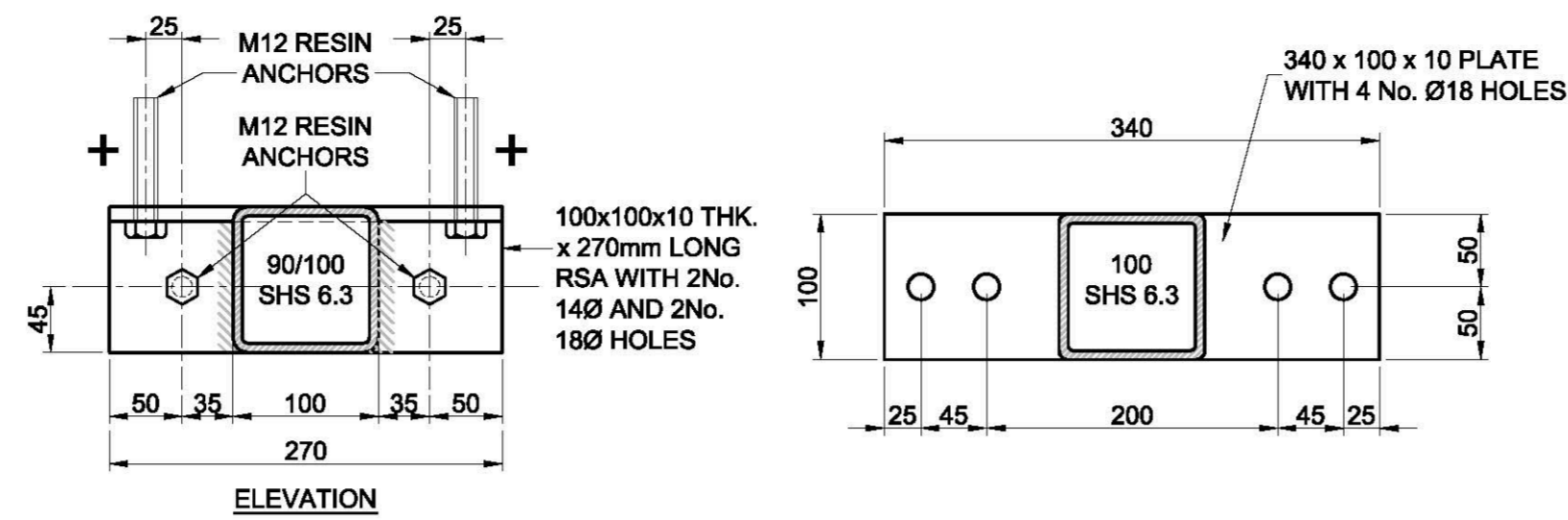


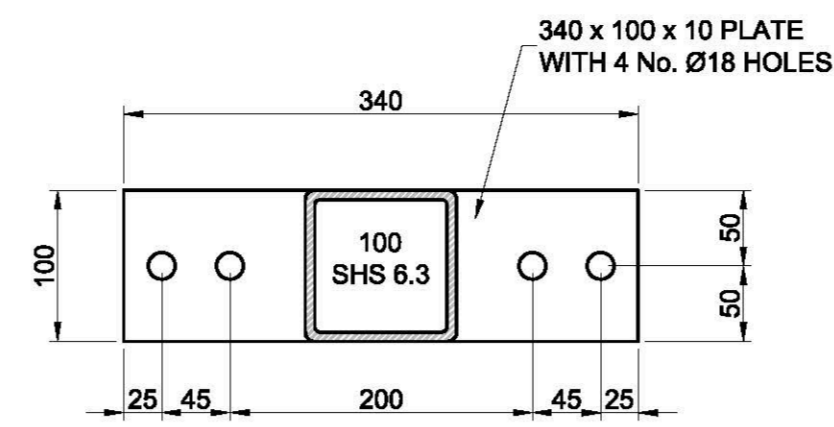
END PLATE 1
SCALE 1:5



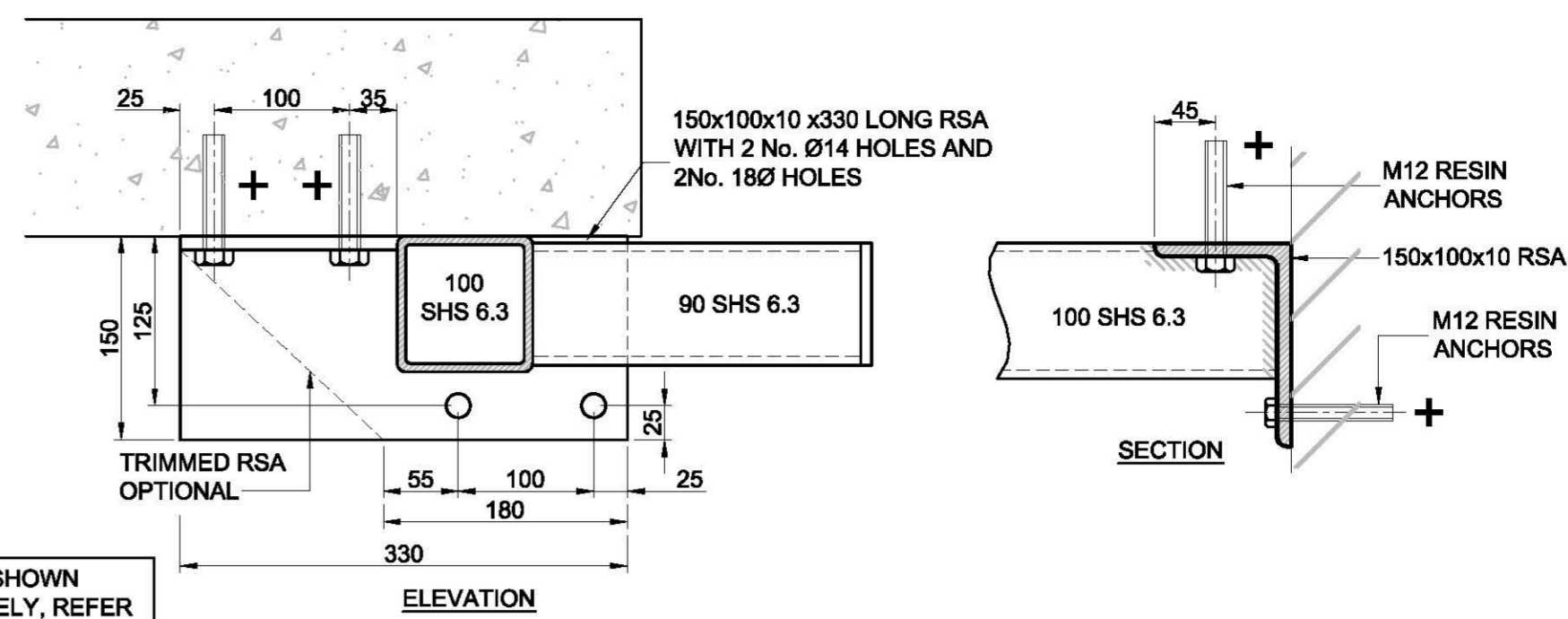
END PLATE 2
SCALE 1:5



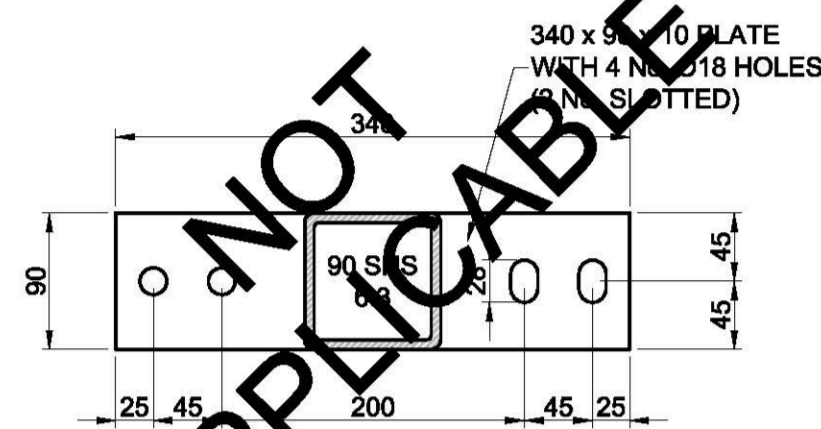
END PLATE 3
SCALE 1:5



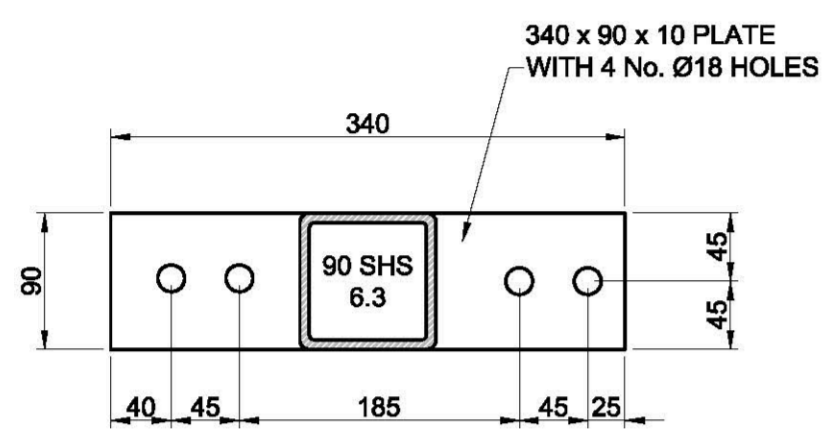
END PLATE 4
SCALE 1:5



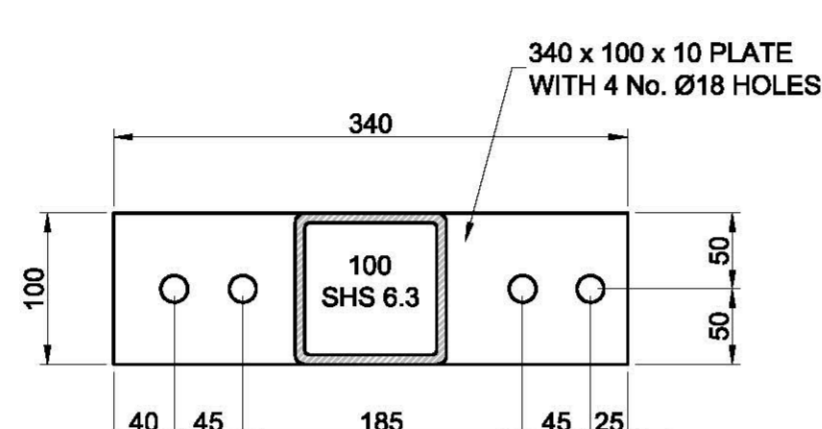
END PLATE 5
RIGHT HAND END FIXING PLATE
(DETAIL TO BE HANDED AS NECESSARY)
SCALE 1:5



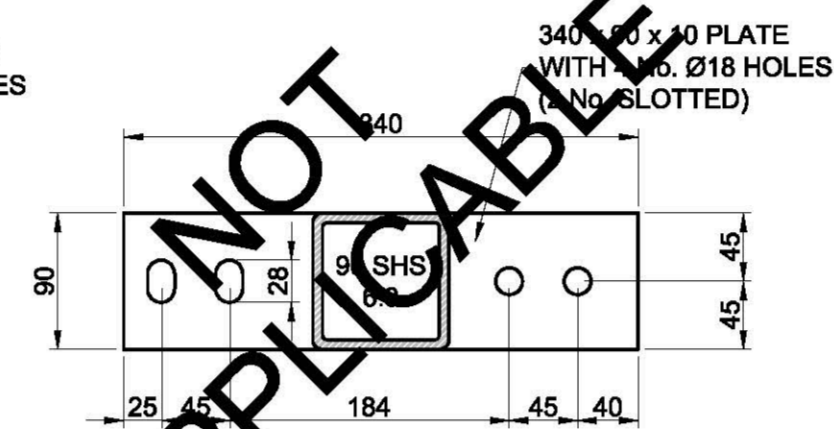
END PLATE 6
SCALE 1:5



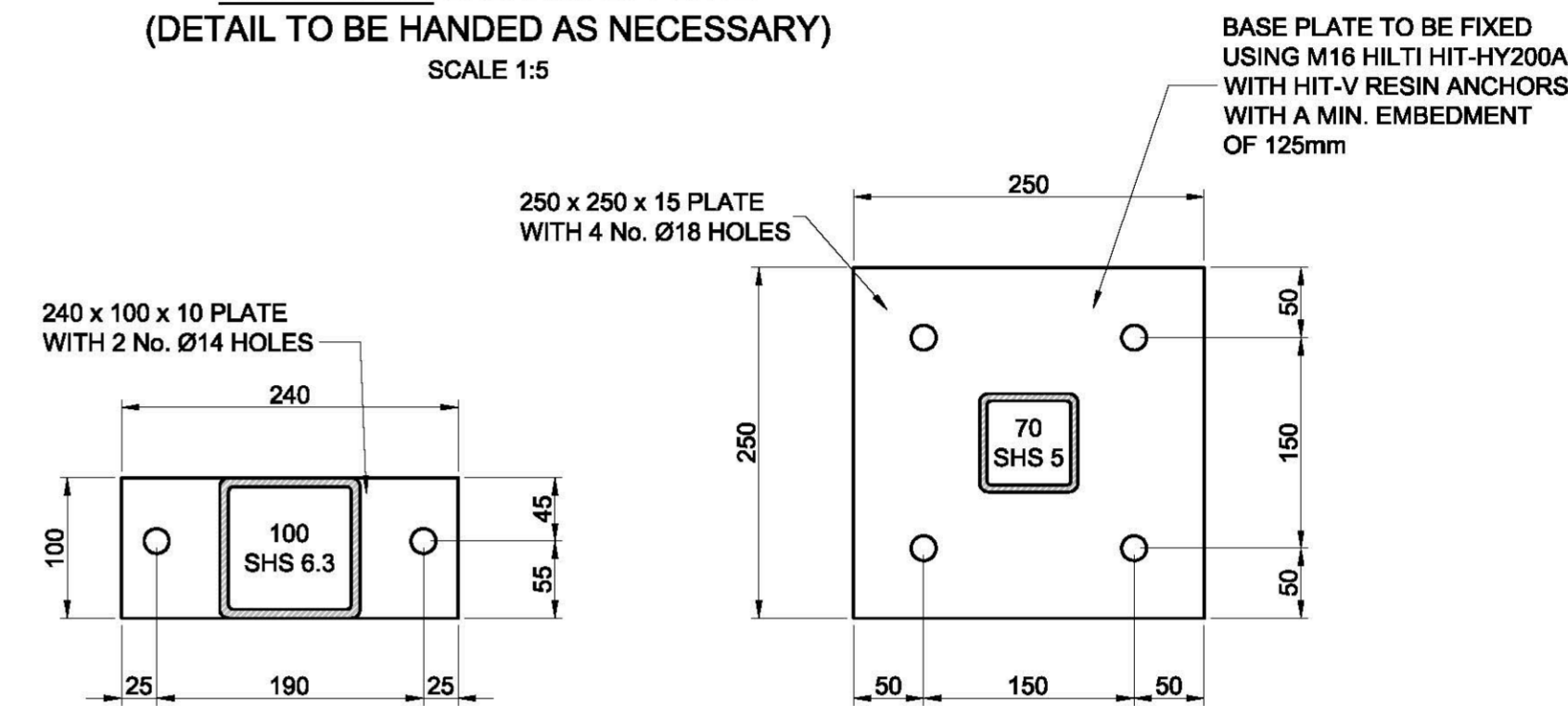
END PLATE 7
SCALE 1:5



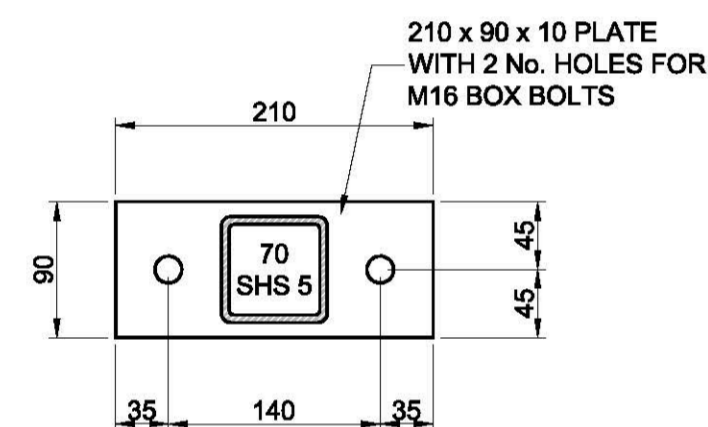
END PLATE 8
SCALE 1:5



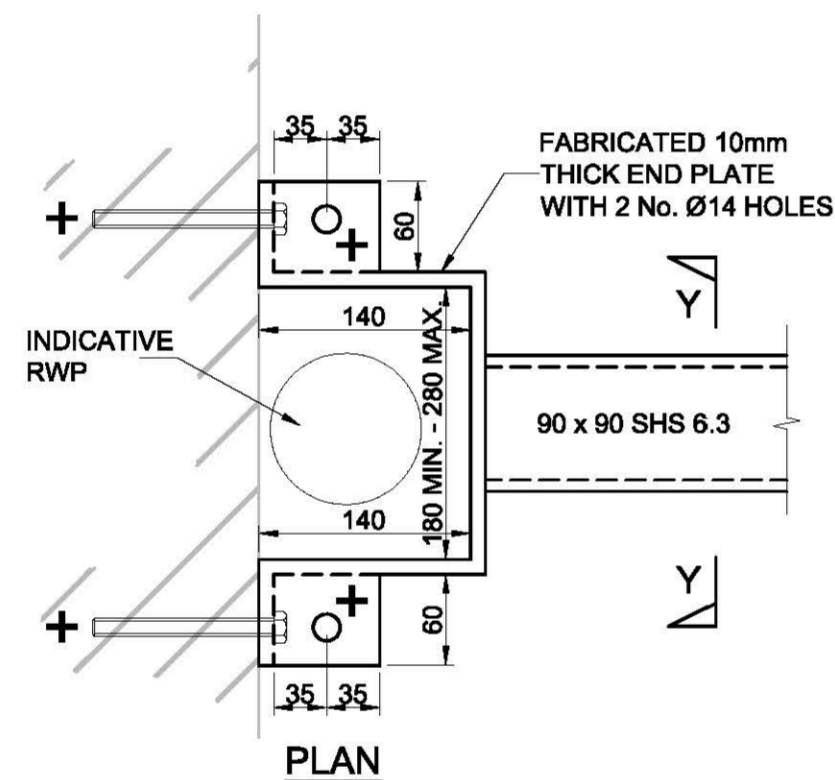
END PLATE 9
SCALE 1:5



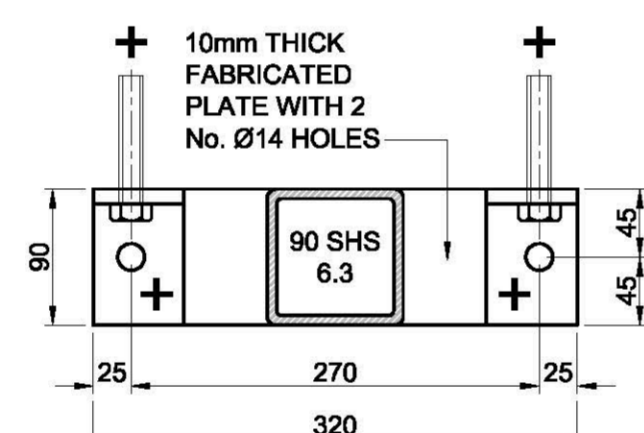
TYPICAL BASE PLATE
SCALE 1:5



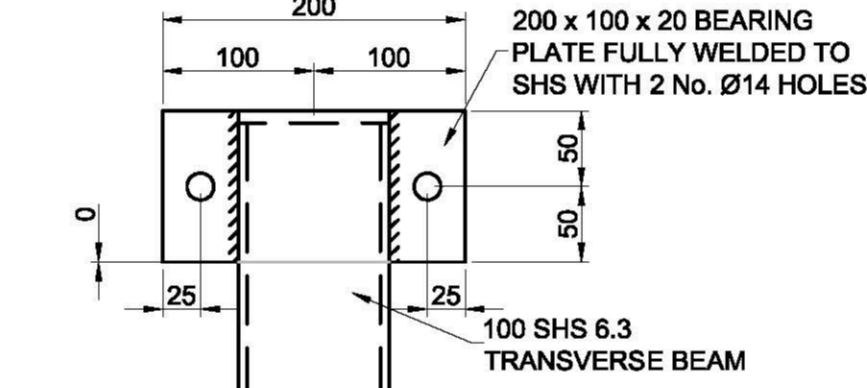
CAP PLATE 1
SCALE 1:5



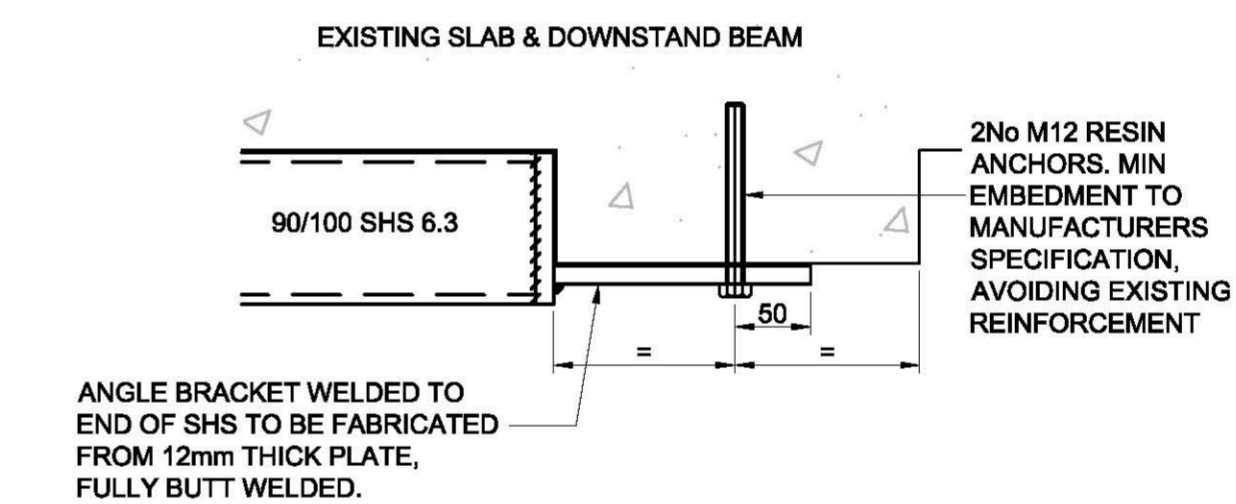
TYPICAL 'BRIDGE' END PLATE DETAIL
(FOR TRANSVERSE BEAMS CLASHING WITH RWPS)
SCALE 1:5



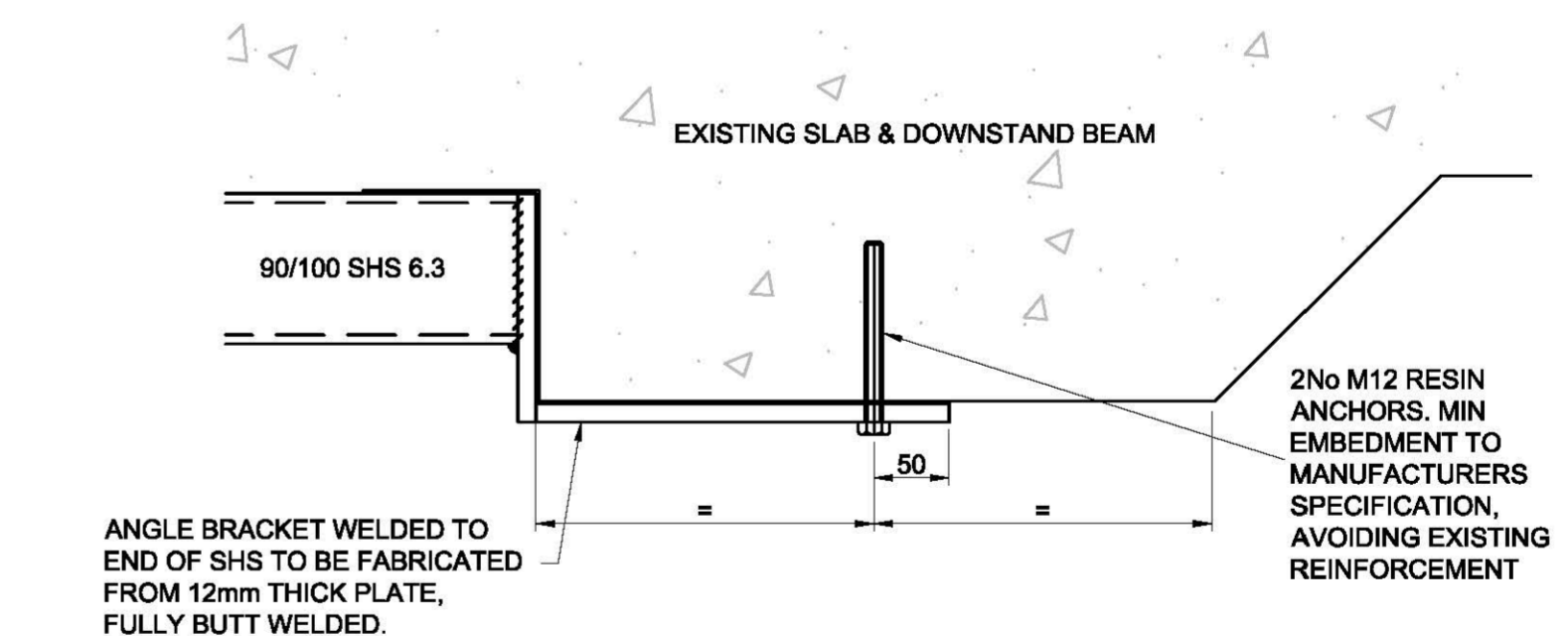
SECTION Y-Y



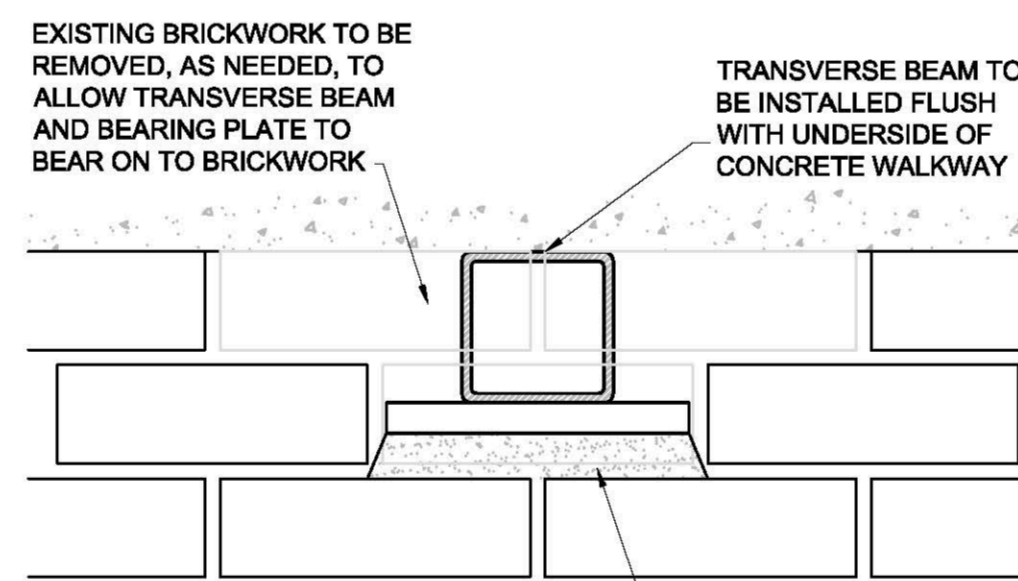
BEARING PLATE DETAIL



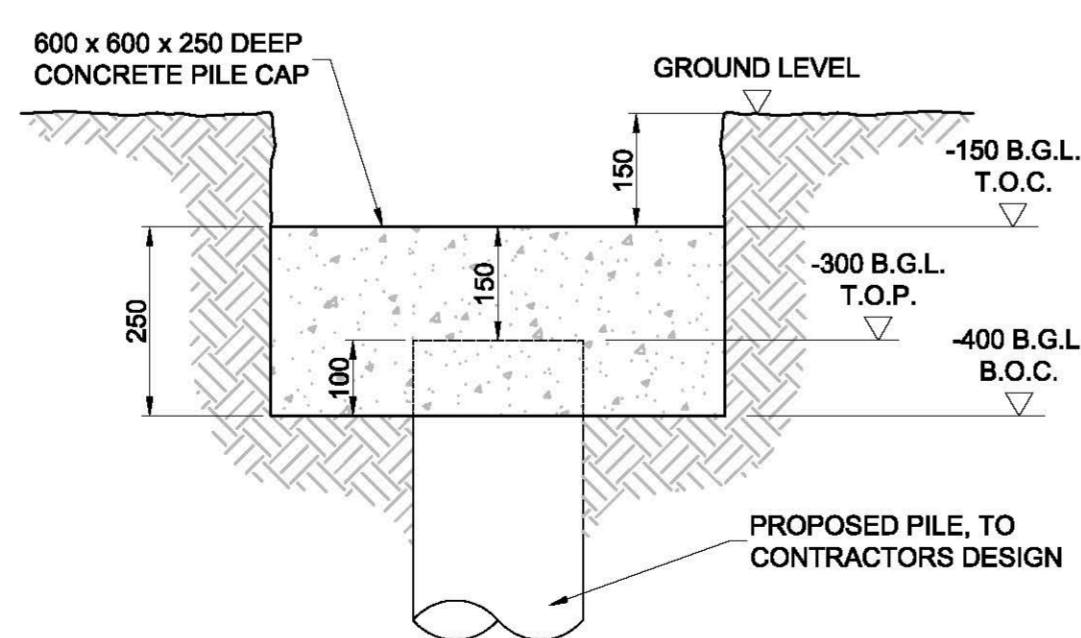
INTERNAL STAIR FIXING
(SHALLOW BEAM DEPTH)



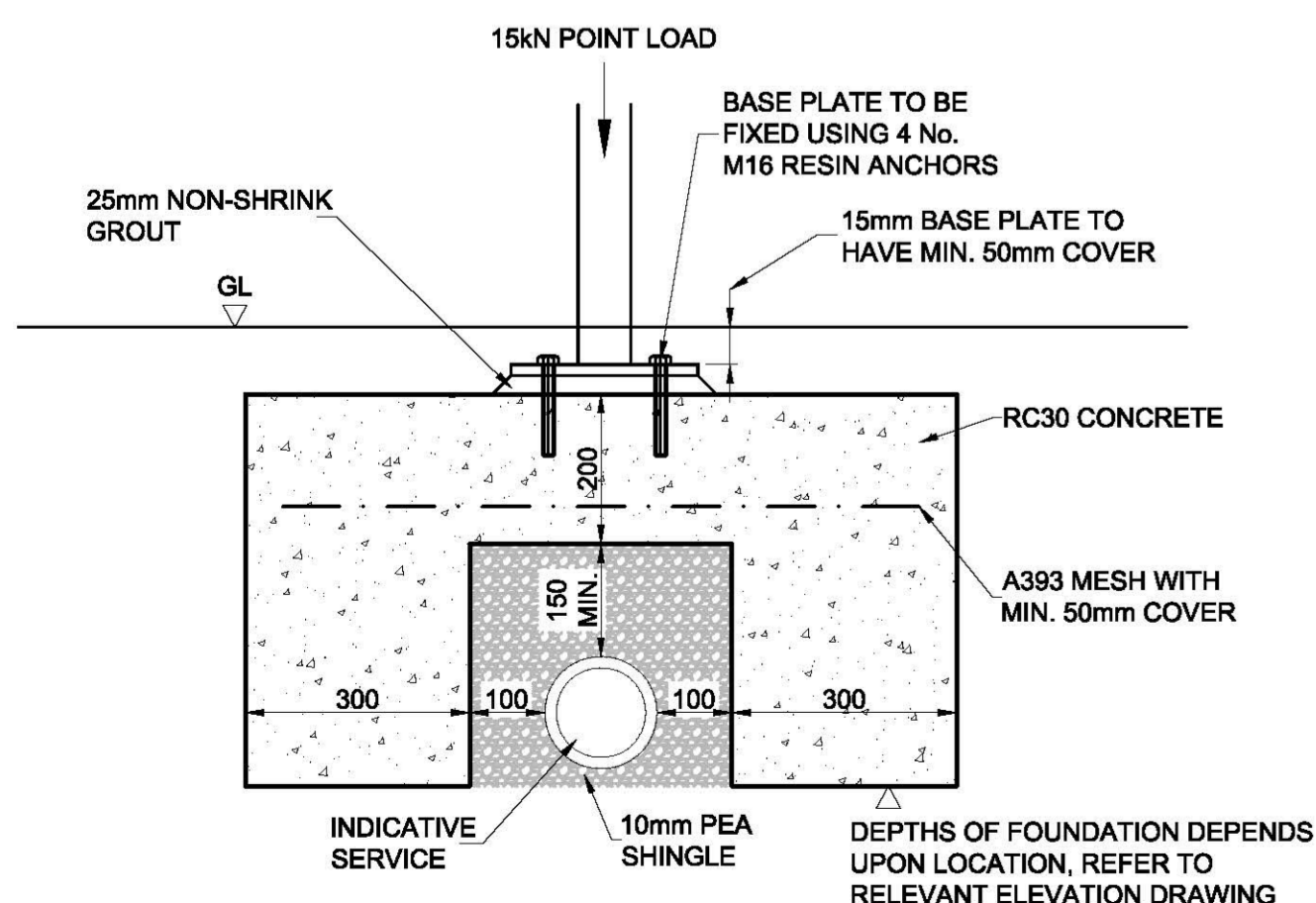
INTERNAL STAIR FIXING
(DEEP BEAM DEPTH)



TRANSVERSE BEAM BEARING - ELEVATION



TYPICAL PILE CAP DETAIL
ONLY TO BE USED WITH PRIOR AGREEMENT FROM ENGINEER
SCALE 1:10



TYPICAL FOUNDATION BRIDGING DETAIL

ONLY TO BE USED WITH PRIOR AGREEMENT FROM ENGINEER
SCALE 1:10

DO NOT SCALE FROM THIS DRAWING
ALL DIMENSIONS TO BE CHECKED ON SITE

Notes:

- REFER TO DRAWING S2000 FOR GENERAL NOTES.
- REFER TO DRAWINGS S2001-S2012 FOR TYPICAL SECTIONS AND DETAILS. (ADDITIONAL UNIQUE DETAILS MAY BE PROVIDED ON A SITE BY SITE BASIS, AS REQUIRED).
- THE CONTRACTOR SHALL CHECK ALL DIMENSIONS ON SITE PRIOR TO FABRICATION.

DIMENSIONS MARKED AS VARIES WILL BE DETERMINED BY THE INDIVIDUAL BLOCK SURVEYS AND SUBSEQUENT DRAWINGS BY ENGINEER. REFER TO ELEVATION DRAWINGS FOR RELEVANT SITE

FOUNDATION DEPTHS SHOWN ON THIS DRAWING ARE MINIMUM, REFER TO RELEVANT ELEVATION DRAWINGS FOR FOUNDATION DEPTHS

ALL DETAILS AND SECTIONS SHOWN FOR BALCONY ENDS AND EXTERNAL STAIRS ARE SIMILAR BUT HANDED FOR THE OPPOSITE ENDS

ALL RESIN ANCHORS MARKED WITH '+' ARE TO BE 2 No. M12 HILTI HIT-HY70 WITH HIT-V ROD AND HIT-SC 22x... MIN. EMBEDMENT 80mm 'RESIN ANCHORS' OR SIMILAR APPROVED

ALL STEEL TO BE GRADE S355, GALVANISED 140um AND POWDER COATED

T1	03.03.17	INITIAL TENDER ISSUE	AF	VJJ
Rev	Date	Amendments	By	Chk

Drawing Status:

TENDER

Client:



Project Title:

CANTILEVER BALCONY SUPPORT - LOT 2 'HOUSING WALK-UP' BLOCKS

Drawing Title:

END PLATE AND MISCELLANEOUS DETAILS

Project No.:	Drawing No.:	Rev.
RP200058	S2008	T1
Date:	Scale:	
MARCH '17	AS SHOWN @ A1	
By:	Checked:	Approved:
VJJ	VJJ	DH

UPR Number: